

DIECI



ICARUS GD

40.14 | 40.17 | 50.18



dieci.com

PERFORMANCE

Vehicle model	ICARUS 40.14 - GD	ICARUS 40.17 - GD	ICARUS 50.18 - GD
Maximum capacity	4000 kg (8818 lb)	4000 kg (8818 lb)	5000 kg (11023 lb)
Maximum lifting height	13,40 m (44 ft)	16,40 m (53,8 ft)	17,80 m (58,4 ft)
Maximum horizontal extension	9,5 m (31,2 ft)	12,5 m (41 ft)	13,80 m (45,3 ft)
Fork swiveling angle	134°	134°	133°
Pull-out force	5700 daN (12814 lbf)	5700 daN (12814 lbf)	5700 daN (12814 lbf)
Towing force	9300 daN (20907 lbf)	9300 daN (20907 lbf)	11600 daN (26078 lbf)
Maximum climb angle	40%	40%	40%
Unladen weight	10900 kg (24030 lb)	12260 kg (27029 lb)	14750 kg (32518 lb)
Max speed (referred to wheels with maximum permitted diameter)	38 km/h (23,6 mph)	38 km/h (23,6 mph)	27 km/h (16,8 mph)

BOOM

Vehicle model	ICARUS 40.14 - GD	ICARUS 40.17 - GD	ICARUS 50.18 - GD
Lifting	12,3 s	14,1 s	13,3 s
Descent	8,4 s	10,2 s	9,3 s
Extension	21,4 s	21,4 s	19,0 s
Retraction	15,6 s	14,1 s	12,8 s
Forward swiveling	3,3 s	3,3 s	3,3 s
Reverse swiveling	2,1 s	2,1 s	2,1 s

ENGINE

Vehicle model	ICARUS 40.14 - GD	ICARUS 40.17 - GD	ICARUS 50.18 - GD
Brand	Kubota	Kubota	Kubota
Nominal power	85,1 kW (114 HP)	85,1 kW (114 HP)	85,1 kW (114 HP)
@rpm	2600 rpm	2600 rpm	2600 rpm
Operation	4-stroke	4-stroke	4-stroke
Injection	Electronic, Common Rail	Electronic, Common Rail	Electronic, Common Rail
Number and arrangement of cylinders	4, Vertical in line	4, Vertical in line	4, Vertical in line
Displacement	3769 cm ³ (230 in ³)	3769 cm ³ (230 in ³)	3769 cm ³ (230 in ³)
Consumption	215 g/kWh (353,68 lb/Hp h)	215 g/kWh (353,68 lb/Hp h)	215 g/kWh (353,68 lb/Hp h)
@rpm	2600 rpm	2600 rpm	2600 rpm
Emission standard	Stage IV/Tier 4f	Stage IV/Tier 4f	Stage IV/Tier 4f
Exhaust gas treatment	DOC+DPF+SCR	DOC+DPF+SCR	DOC+DPF+SCR
Cooling system	Liquid	Liquid	Liquid
Intake	Turbocharger after-cooler	Turbocharger after-cooler	Turbocharger after-cooler

DIFFERENTIAL AXLES

Vehicle model	ICARUS 40.14 - GD	ICARUS 40.17 - GD	ICARUS 50.18 - GD
Type of axles	2 steering, with 4 epicycloidal reduction gears	2 steering, with 4 epicycloidal reduction gears	2 steering, with 4 epicycloidal reduction gears
Type of steering	4 wheels / transversal / 2 wheels	4 wheels / transversal / 2 wheels	4 wheels / transversal / 2 wheels
Front axle	With transverse leveling device with control in the cab	With transverse leveling device with control in the cab	With transverse leveling device driven by the cab
Rear axle	Swinging	Swinging	Oscillating with automatic lock
Service braking	Oil bath with servo brake on front and rear axle with double hydraulic system	Oil bath with servo brake on front and rear axle with double hydraulic system	Oil bath with servo brake on front axle with double hydraulic system
Parking braking	Negative actuation with electrical control	Negative actuation with electrical control	Negative actuation with electrical control

HYDRAULIC SYSTEM

Vehicle model	ICARUS 40.14 - GD	ICARUS 40.17 - GD	ICARUS 50.18 - GD
Hydraulic pump type	Dual gear pump for power steering and movements	Dual gear pump for power steering and movements	Dual gear pump for power steering and movements
Hydraulic pump capacity	140 L/min (37 gal/min)	140 L/min (37 gal/min)	140 L/min (37 gal/min)
Max. operating pressure	25,0 MPa (3626 psi)	25,0 MPa (3626 psi)	25,0 MPa (3626 psi)
Distributor control	4 in 1 proportional Joystick	4 in 1 proportional Joystick	4in1 proportional Joystick
Outriggers	2 with proportional control and independent from the cab	2 with proportional control and independent from the cab	2 with proportional control and independent from the cab

REFUELING

Vehicle model	ICARUS 40.14 - GD	ICARUS 40.17 - GD	ICARUS 50.18 - GD
Hydraulic system (total)	174,0 L (45,97 gal)	174,0 L (45,97 gal)	190,0 L (50,19 gal)
Fuel tank	120,0 L (31,7 gal)	120,0 L (31,7 gal)	120,0 L (31,7 gal)
AdBlue tank	20 L (5,28 gal)	20 L (5,28 gal)	20 L (5,28 gal)

TRANSMISSION

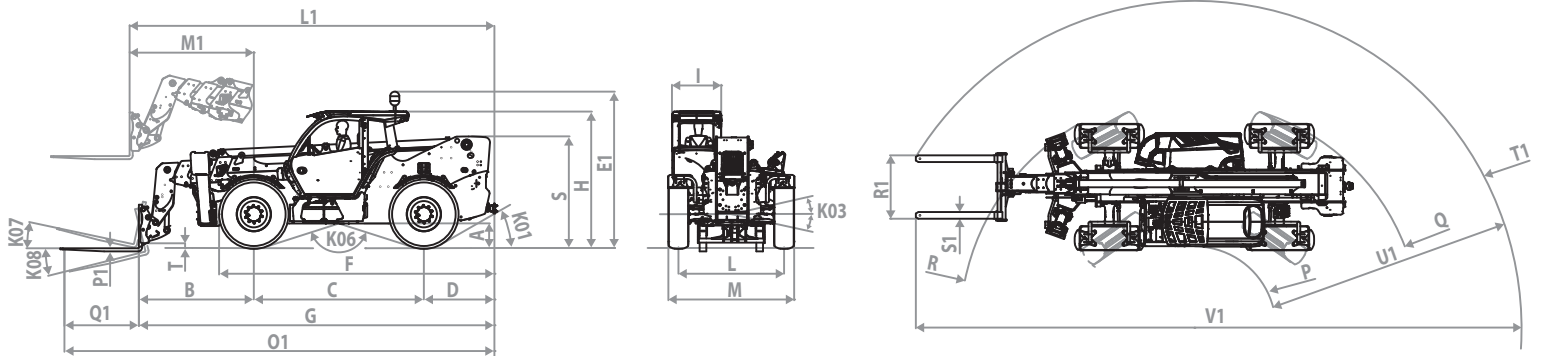
Vehicle model	ICARUS 40.14 - GD	ICARUS 40.17 - GD	ICARUS 50.18 - GD
Transmission type	Hydrostatic with electronic control with variable displacement pump and ECO function	Hydrostatic with electronic control with variable displacement pump and ECO function	Hydrostatic with electronic control with variable displacement pump and ECO function
Hydraulic motor	Hydrostatic with continuous automatic adjustment	Hydrostatic with continuous automatic adjustment	Hydrostatic with continuous automatic adjustment
Reversal	With electronic control operated with vehicle in motion	With electronic control operated with vehicle in motion	With electronic control operated with vehicle in motion
Inching	With electronic pedal for controlled forward movement	With electronic pedal for controlled forward movement	With electronic pedal for controlled forward movement
Transmission gearbox	Servo-controlled 2-speed	Servo-controlled 2-speed	Servo-controlled 2-speed

TIRES

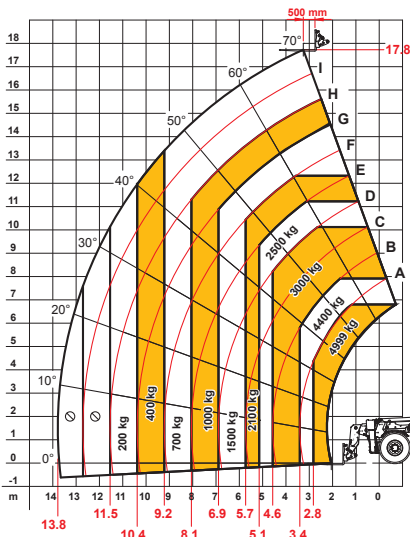
Vehicle model	ICARUS 40.14 - GD	ICARUS 40.17 - GD	ICARUS 50.18 - GD
Standard tires	440/70x24"	440/70x24"	440/80x24"
Optional tires	18-22.5"	18-22.5"	-

DIMENSIONS

Vehicle model	ICARUS 40.14 - GD	ICARUS 40.17 - GD	ICARUS 50.18 - GD
A	390 mm (15,4 in)	390 mm (15,4 in)	480 mm (18,9 in)
B	1900 mm (74,8 in)	1960 mm (77,2 in)	2230 mm (87,8 in)
C	3050 mm (120,1 in)	3050 mm (120,1 in)	3300 mm (129,9 in)
D	1255 mm (49,4 in)	1255 mm (49,4 in)	1370 mm (53,9 in)
E1	2805 mm (110,4 in)	2805 mm (110,4 in)	2925 mm (115,2 in)
F	4890 mm (192,5 in)	4890 mm (192,5 in)	5900 mm (232,3 in)
G	6200 mm (244,1 in)	6250 mm (246,1 in)	6900 mm (271,7 in)
H	2530 mm (99,6 in)	2530 mm (99,6 in)	2650 mm (104,3 in)
I	960 mm (37,8 in)	960 mm (37,8 in)	960 mm (37,8 in)
K01	32°	32°	30°
K03	10°	10°	10°
K06	147°	147°	145°
K07	14°	14°	14°
K08	120°	120°	120°
L	1970 mm (77,6 in)	1970 mm (77,6 in)	2050 mm (80,7 in)
L1	6340 mm (249,6 in)	6455 mm (254,1 in)	7080 mm (278,7 in)
M	2390 mm (94,1 in)	2390 mm (94,1 in)	2440 mm (96,1 in)
M1	2100 mm (82,7 in)	2030 mm (79,9 in)	2411 mm (94,9 in)
O1	7400 mm (291,3 in)	7465 mm (293,9 in)	8345 mm (328,5 in)
P	1405 mm (55,3 in)	1405 mm (55,3 in)	1579 mm (62,2 in)
P1	50 mm (2 in)	50 mm (2 in)	60 mm (2,4 in)
Q	4140 mm (163 in)	4140 mm (163 in)	4379 mm (172,4 in)
Q1	1200 mm (47,2 in)	1200 mm (47,2 in)	1525 mm (60 in)
R	4140 mm (163 in)	4140 mm (163 in)	4547 mm (179 in)
R1	1220 mm (48 in)	1220 mm (48 in)	1230 mm (48,4 in)
S	1800 mm (70,9 in)	1800 mm (70,9 in)	2162 mm (85,1 in)
S1	120 mm (4,7 in)	120 mm (4,7 in)	130 mm (5,1 in)
T	155 mm (6,1 in)	180 mm (7,1 in)	100 mm (3,9 in)
T1	5635 mm (221,9 in)	5675 mm (223,4 in)	6342 mm (249,7 in)
U1	4230 mm (166,5 in)	4275 mm (168,3 in)	4767 mm (187,7 in)
V1	10260 mm (403,9 in)	10360 mm (407,9 in)	11730 mm (461,8 in)



MAX
4999 kg



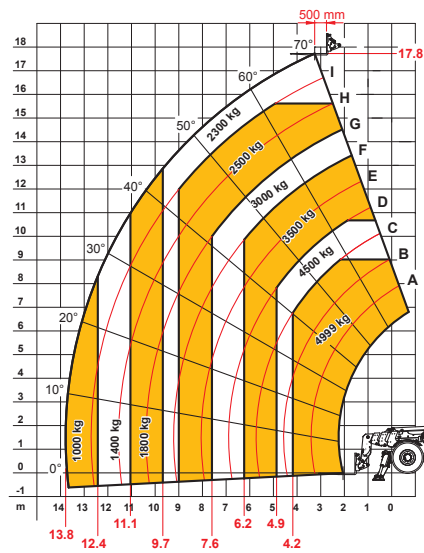
DOC10001057



50.18

EN1459-B

MAX
4999 kg



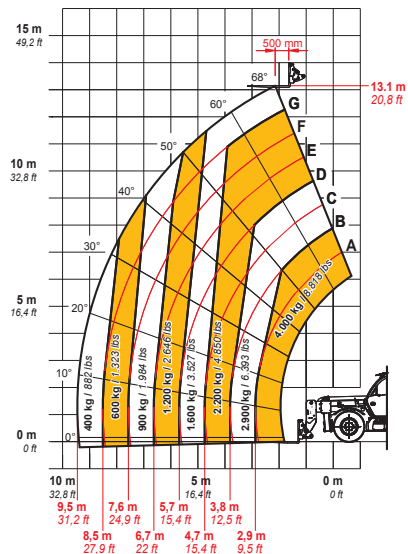
DOC10001058



50.18

EN1459-B

MAX
4000 kg / 8818 lb



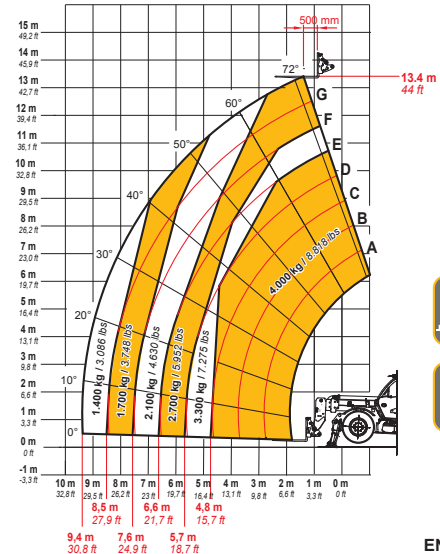
DOC10001079



40.14

EN1459-B

MAX
4000 kg / 8818 lb



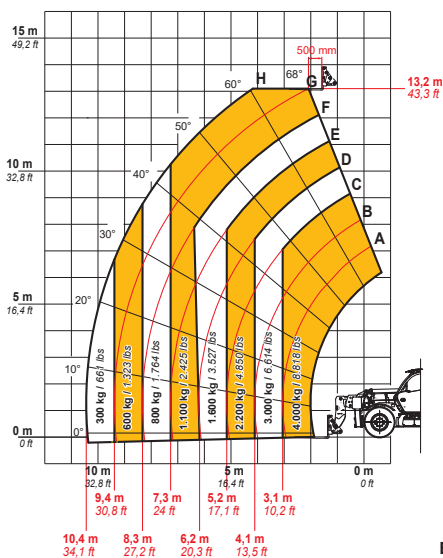
DOC10001080



40.14

EN1459-B

MAX
4000 kg / 8818 lb



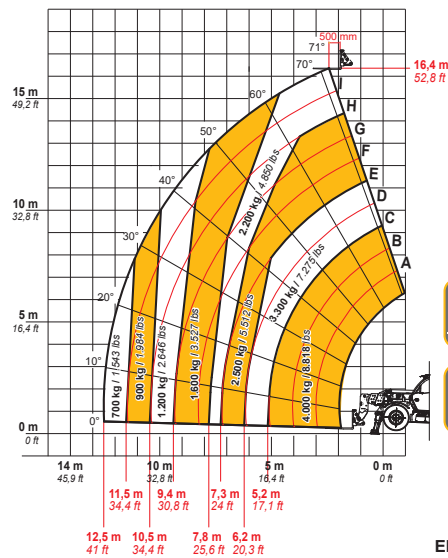
DOC10001081



40.17

EN1459-B

MAX
4000 kg / 8818 lb



DOC10001082



40.17

EN1459-B