

DIECI



ZEUS GD

40.7 | 38.8 | 38.10 | 35.11 | 40.13



dieci.com

PERFORMANCE

| | | | | | |
|--|----------------------|----------------------|----------------------|----------------------|----------------------|
| Vehicle model | ZEUS 40.7 - GD | ZEUS 38.8 - GD | ZEUS 38.10 - GD | ZEUS 35.11 - GD | ZEUS 40.13 - GD |
| Maximum capacity | 4000 kg (8818 lb) | 3800 kg (8378 lb) | 3800 kg (8378 lb) | 3500 kg (7716 lb) | 4000 kg (8818 lb) |
| Maximum lifting height | 7,2 m (23,6 ft) | 7,6 m (24,9 ft) | 9,6 m (31,5 ft) | 10,6 m (34,8 ft) | 12,5 m (41 ft) |
| Maximum horizontal extension | 4,0 m (13,1 ft) | 4,4 m (14,4 ft) | 6,2 m (20,3 ft) | 6,97 m (22,9 ft) | 8,5 m (27,9 ft) |
| Fork swiveling angle | 146° | 146° | 146° | 146° | 146° |
| Pull-out force | 5700 daN (12814 lbf) | 5700 daN (12814 lbf) | 5700 daN (12814 lbf) | 5700 daN (12814 lbf) | 5700 daN (12814 lbf) |
| Towing force | 9870 daN (22189 lbf) | 9870 daN (22189 lbf) | 9870 daN (22189 lbf) | 9870 daN (22189 lbf) | 9870 daN (22189 lbf) |
| Maximum climb angle | 45% | 45% | 45% | 45% | 45% |
| Unladen weight | 8000 kg (17637 lb) | 8300 kg (18298 lb) | 8550 kg (18850 lb) | 8850 kg (19511 lb) | 9850 kg (21716 lb) |
| Max speed (referred to wheels with maximum permitted diameter) | 30 km/h (18,6 mph) | 30 km/h (18,6 mph) | 30 km/h (18,6 mph) | 30 km/h (18,6 mph) | 30 km/h (18,6 mph) |

BOOM

| | | | | | |
|-------------------|----------------|----------------|-----------------|-----------------|-----------------|
| Vehicle model | ZEUS 40.7 - GD | ZEUS 38.8 - GD | ZEUS 38.10 - GD | ZEUS 35.11 - GD | ZEUS 40.13 - GD |
| Lifting | 8,3 s | 8,3 s | 10,3 s | 10,3 s | 13,5 s |
| Descent | 6,0 s | 6,0 s | 8,2 s | 8,2 s | 12,5 s |
| Extension | 6,4 s | 6,8 s | 6,7 s | 7,5 s | 11,6 s |
| Retraction | 5,0 s | 5,1 s | 4,0 s | 4,5 s | 8,8 s |
| Forward swiveling | 4,6 s | 4,6 s | 4,6 s | 4,6 s | 4,6 s |
| Reverse swiveling | 2,6 s | 2,6 s | 2,6 s | 2,6 s | 2,6 s |

ENGINE

| | | | | | |
|-------------------------------------|---|---|---|---|---|
| Vehicle model | ZEUS 40.7 - GD | ZEUS 38.8 - GD | ZEUS 38.10 - GD | ZEUS 35.11 - GD | ZEUS 40.13 - GD |
| Brand | Kubota | Kubota | Kubota | Kubota | Kubota |
| Nominal power | 55,4 kW (74 HP) | 55,4 kW (74 HP) | 55,4 kW (74 HP) | 55,4 kW (74 HP) | 55,4 kW (74 HP) |
| @rpm | 2600 rpm | 2600 rpm | 2600 rpm | 2600 rpm | 2600 rpm |
| Operation | 4-stroke | 4-stroke | 4-stroke | 4-stroke | 4-stroke |
| Injection | Electronic, Common rail | Electronic, Common rail | Electronic, Common rail | Electronic, Common rail | Electronic, Common rail |
| Number and arrangement of cylinders | 4, Vertical in line | 4, Vertical in line | 4, Vertical in line | 4, Vertical in line | 4, Vertical in line |
| Displacement | 3331 cm ³ (203 in ³) | 3331 cm ³ (203 in ³) | 3331 cm ³ (203 in ³) | 3331 cm ³ (203 in ³) | 3331 cm ³ (203 in ³) |
| Consumption | 231 g/kWh (380 lb/Hp h) | 231 g/kWh (380 lb/Hp h) | 231 g/kWh (380 lb/Hp h) | 231 g/kWh (380 lb/Hp h) | 231 g/kWh (380 lb/Hp h) |
| Emission standard | Stage V/Tier 4f | Stage V/Tier 4f | Stage V/Tier 4f | Stage V/Tier 4f | Stage V/Tier 4f |
| Exhaust gas treatment | DOC+DPF | DOC+DPF | DOC+DPF | DOC+DPF | DOC+DPF |
| Cooling system | Liquid | Liquid | Liquid | Liquid | Liquid |
| Intake | Turbocharger after-cooler | Turbocharger after-cooler | Turbocharger after-cooler | Turbocharger after-cooler | Turbocharger after-cooler |

DIFFERENTIAL AXLES

| | | | | | |
|------------------|--|--|--|--|--|
| Vehicle model | ZEUS 40.7 - GD | ZEUS 38.8 - GD | ZEUS 38.10 - GD | ZEUS 35.11 - GD | ZEUS 40.13 - GD |
| Type of axles | 2 steering, with 4 epicycloidal reduction gears | 2 steering, with 4 epicycloidal reduction gears | 2 steering, with 4 epicycloidal reduction gears | 2 steering, with 4 epicycloidal reduction gears | 2 steering, with 4 epicycloidal reduction gears |
| Type of steering | 4 wheels / transversal / 2 wheels | 4 wheels / transversal / 2 wheels | 4 wheels / transversal / 2 wheels | 4 wheels / transversal / 2 wheels | 4 wheels / transversal / 2 wheels |
| Front axle | Rigid (OPT leveling.) | Rigid (OPT leveling.) | Rigid (OPT leveling.) | Rigid (OPT leveling.) | Rigid (OPT leveling.) |
| Rear axle | Swinging | Swinging | Swinging | Swinging | Swinging |
| Service braking | Oil bath with servo brake on front axle with double hydraulic system | Oil bath with servo brake on front axle with double hydraulic system | Oil bath with servo brake on front axle with double hydraulic system | Oil bath with servo brake on front axle with double hydraulic system | Oil bath with servo brake on front axle with double hydraulic system |
| Parking braking | Negative actuation with electronic control | Negative actuation with electronic control | Negative actuation with electronic control | Negative actuation with electronic control | Negative actuation with electronic control |

HYDRAULIC SYSTEM

| | | | | | |
|-------------------------|--|--|--|--|--|
| Vehicle model | ZEUS 40.7 - GD | ZEUS 38.8 - GD | ZEUS 38.10 - GD | ZEUS 35.11 - GD | ZEUS 40.13 - GD |
| Hydraulic pump type | No. 1 LS piston pump for power-steering and boom movements. No. 1 gear pump for and Fan Drive. | No. 1 LS piston pump for power-steering and boom movements. No. 1 gear pump for and Fan Drive. | No. 1 LS piston pump for power-steering and boom movements. No. 1 gear pump for and Fan Drive. | No. 1 LS piston pump for power-steering and boom movements. No. 1 gear pump for and Fan Drive. | No. 1 LS piston pump for power-steering and boom movements. No. 1 gear pump for and Fan Drive. |
| Hydraulic pump capacity | 127 L/min (33,5 gal/min) | 127 L/min (33,5 gal/min) | 127 L/min (33,5 gal/min) | 127 L/min (33,5 gal/min) | 127 L/min (33,5 gal/min) |
| Max. operating pressure | 26,0 MPa (3771 psi) | 26,0 MPa (3771 psi) | 26,0 MPa (3771 psi) | 26,0 MPa (3771 psi) | 26,0 MPa (3771 psi) |
| Distributor control | 4 in 1 proportional Joystick with FNR | 4 in 1 proportional Joystick with FNR | 4 in 1 proportional Joystick with FNR | 4 in 1 proportional Joystick with FNR | 4 in 1 proportional Joystick with FNR |
| Outriggers | No | No | No | 2 with proportional control and independent from the cab | 2 with proportional control and independent from the cab |

REFUELING

| | | | | | |
|--------------------------|---------------------|---------------------|---------------------|---------------------|---------------------|
| Vehicle model | ZEUS 40.7 - GD | ZEUS 38.8 - GD | ZEUS 38.10 - GD | ZEUS 35.11 - GD | ZEUS 40.13 - GD |
| Hydraulic system (total) | 140,0 L (36,98 gal) | 140,0 L (36,98 gal) | 140,0 L (36,98 gal) | 140,0 L (36,98 gal) | 140,0 L (36,98 gal) |
| Fuel tank | 175 L (46,23 gal) | 175 L (46,23 gal) | 175 L (46,23 gal) | 175 L (46,23 gal) | 175 L (46,23 gal) |

TRANSMISSION

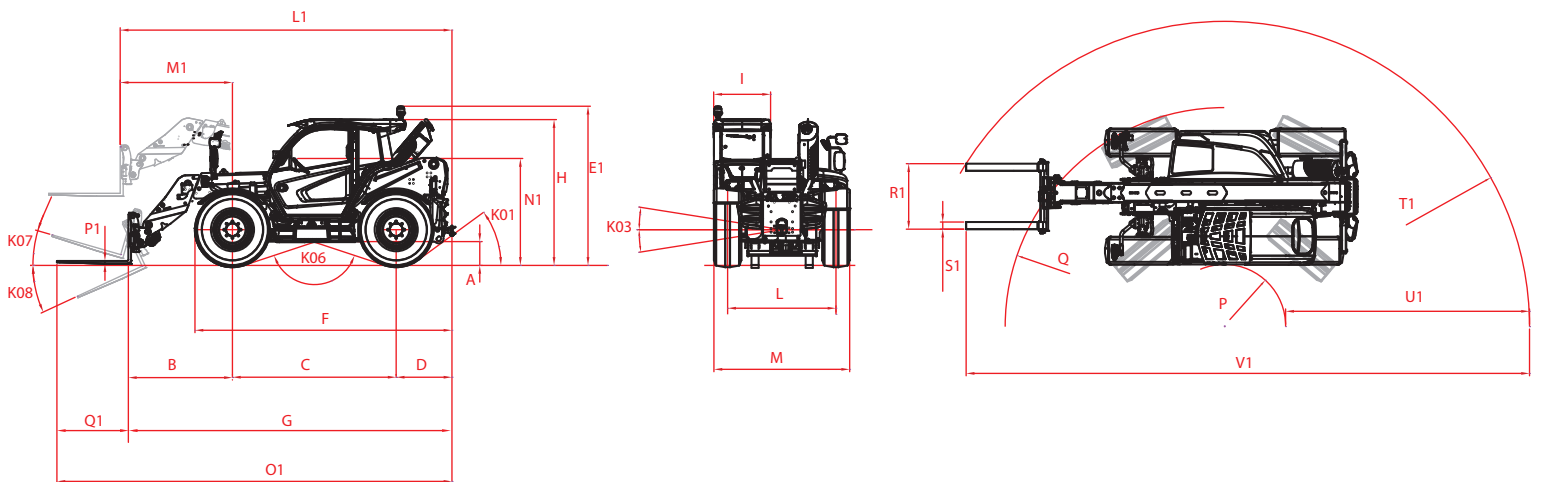
| Vehicle model | ZEUS 40.7 - GD | ZEUS 38.8 - GD | ZEUS 38.10 - GD | ZEUS 35.11 - GD | ZEUS 40.13 - GD |
|-------------------|--|--|--|--|--|
| Transmission type | Hydrostatic with variable displacement pump and ECO function | Hydrostatic with variable displacement pump and ECO function | Hydrostatic with variable displacement pump and ECO function | Hydrostatic with variable displacement pump and ECO function | Hydrostatic with variable displacement pump and ECO function |
| Hydraulic motor | Hydrostatic with continuous automatic adjustment | Hydrostatic with continuous automatic adjustment | Hydrostatic with continuous automatic adjustment | Hydrostatic with continuous automatic adjustment | Hydrostatic with continuous automatic adjustment |
| Reversal | With electronic control operated with vehicle in motion | With electronic control operated with vehicle in motion | With electronic control operated with vehicle in motion | With electronic control operated with vehicle in motion | With electronic control operated with vehicle in motion |
| Inching | With electronic pedal for controlled forward movement | With electronic pedal for controlled forward movement | With electronic pedal for controlled forward movement | With electronic pedal for controlled forward movement | With electronic pedal for controlled forward movement |

TIRES

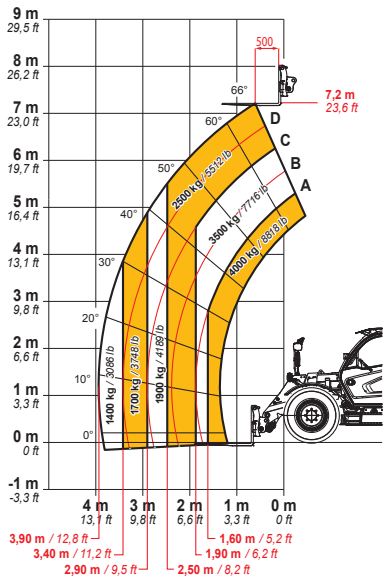
| Vehicle model | ZEUS 40.7 - GD | ZEUS 38.8 - GD | ZEUS 38.10 - GD | ZEUS 35.11 - GD | ZEUS 40.13 - GD |
|----------------|---------------------------|---------------------------|---------------------------|---------------------------|---------------------------|
| Standard tires | 400/70-24" (16/70-24)" | 400/70-24" (16/70-24)" | 400/70-24" (16/70-24)" | 400/70-24" (16/70-24)" | 400/70-24" (16/70-24)" |
| Optional tires | 18-22.5"445/65 (18 R22.5) | 18-22.5"445/65 (18 R22.5) | 18-22.5"445/65 (18 R22.5) | 18-22.5"445/65 (18 R22.5) | 18-22.5"445/65 (18 R22.5) |

DIMENSIONS

| Vehicle model | ZEUS 40.7 - GD | ZEUS 38.8 - GD | ZEUS 38.10 - GD | ZEUS 35.11 - GD | ZEUS 40.13 - GD |
|---------------|--------------------|--------------------|--------------------|--------------------|--------------------|
| A | 360 mm (14,2 in) | 360 mm (14,2 in) | 360 mm (14,2 in) | 360 mm (14,2 in) | 360 mm (14,2 in) |
| B | 1283 mm (50,5 in) | 1748 mm (68,8 in) | 1307 mm (51,5 in) | 1600 mm (63 in) | 1950 mm (76,8 in) |
| C | 2750 mm (108,3 in) | 2750 mm (108,3 in) | 2750 mm (108,3 in) | 2750 mm (108,3 in) | 2750 mm (108,3 in) |
| D | 937 mm (36,9 in) | 937 mm (36,9 in) | 937 mm (36,9 in) | 920 mm (36,2 in) | 1270 mm (50 in) |
| E1 | 2860 mm (112,6 in) | 2860 mm (112,6 in) | 2860 mm (112,6 in) | 2860 mm (112,6 in) | 2860 mm (112,6 in) |
| F | 4276 mm (168,3 in) | 4276 mm (168,3 in) | 4276 mm (168,3 in) | 4250 mm (167,3 in) | 4600 mm (181,1 in) |
| G | 4971 mm (195,7 in) | 5435 mm (214 in) | 4995 mm (196,7 in) | 5270 mm (207,5 in) | 5970 mm (235 in) |
| H | 2410 mm (94,9 in) | 2410 mm (94,9 in) | 2410 mm (94,9 in) | 2410 mm (94,9 in) | 2410 mm (94,9 in) |
| I | 960 mm (37,8 in) | 960 mm (37,8 in) | 960 mm (37,8 in) | 960 mm (37,8 in) | 960 mm (37,8 in) |
| K01 | 31° | 31° | 31° | 32° | 23° |
| K03 | 9° | 9° | 9° | 10° | 10° |
| K06 | 150° | 150° | 150° | 150° | 150° |
| K07 | 16° | 16° | 16° | 16° | 18° |
| K08 | 131° | 131° | 131° | 131° | 140° |
| L | 1870 mm (73,6 in) | 1870 mm (73,6 in) | 1870 mm (73,6 in) | 1870 mm (73,6 in) | 1870 mm (73,6 in) |
| L1 | 5140 mm (202,4 in) | 5572 mm (219,4 in) | 5159 mm (203,1 in) | 5420 mm (213,4 in) | 6100 mm (240,2 in) |
| M | 2290 mm (90,2 in) | 2290 mm (90,2 in) | 2290 mm (90,2 in) | 2290 mm (90,2 in) | 2290 mm (90,2 in) |
| M1 | 1453 mm (57,2 in) | 1885 mm (74,2 in) | 1472 mm (58 in) | 1750 mm (68,9 in) | 2080 mm (81,9 in) |
| N1 | 1755 mm (69,1 in) | 1755 mm (69,1 in) | 1755 mm (69,1 in) | 1755 mm (69,1 in) | 1755 mm (69,1 in) |
| O1 | 6171 mm (243 in) | 6635 mm (261,2 in) | 6195 mm (243,9 in) | 6470 mm (254,7 in) | 7170 mm (282,3 in) |
| P | 1030 mm (40,6 in) | 1030 mm (40,6 in) | 1030 mm (40,6 in) | 1030 mm (40,6 in) | 1030 mm (40,6 in) |
| Q | 3665 mm (144,3 in) | 3665 mm (144,3 in) | 3665 mm (144,3 in) | 3665 mm (144,3 in) | 3665 mm (144,3 in) |
| R1 | 1100 mm (43,3 in) | 1100 mm (43,3 in) | 1100 mm (43,3 in) | 1100 mm (43,3 in) | 1100 mm (43,3 in) |
| S1 | 120 mm (4,7 in) | 120 mm (4,7 in) | 120 mm (4,7 in) | 120 mm (4,7 in) | 120 mm (4,7 in) |
| T1 | 4691 mm (184,7 in) | 5127 mm (201,9 in) | 4759 mm (187,4 in) | 4940 mm (194,5 in) | 5245 mm (206,5 in) |
| U1 | 3706 mm (145,9 in) | 4097 mm (161,3 in) | 3729 mm (146,8 in) | 3940 mm (155,1 in) | 4245 mm (167,1 in) |
| V1 | 8599 mm (338,5 in) | 9463 mm (372,6 in) | 8655 mm (340,7 in) | 9120 mm (359,1 in) | 9770 mm (384,6 in) |
| P1 | 45 mm (1,8 in) | 45 mm (1,8 in) | 45 mm (1,8 in) | 45 mm (1,8 in) | 45 mm (1,8 in) |
| Q1 | 1200 mm (47,2 in) | 1200 mm (47,2 in) | 1200 mm (47,2 in) | 1200 mm (47,2 in) | 1200 mm (47,2 in) |



MAX
4000 kg / 8818 lb



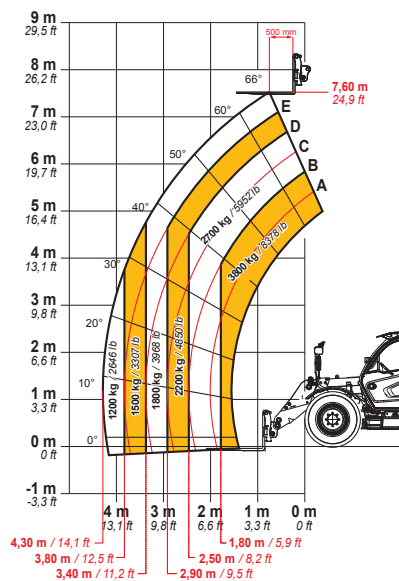
DOC10000835



EN1459

40.7

MAX
3800 kg / 8378 lb



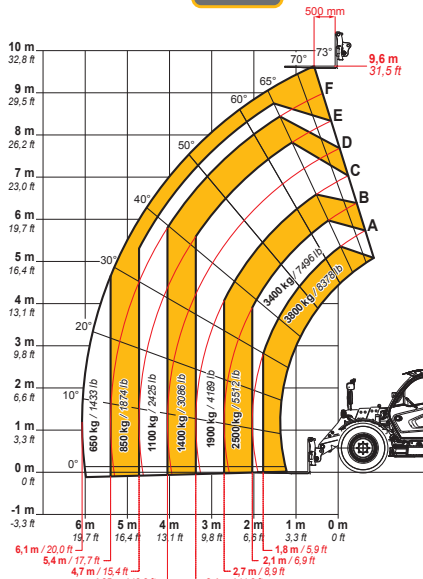
DOC10000836



EN1459

38.8

MAX
3800 kg / 8378 lb



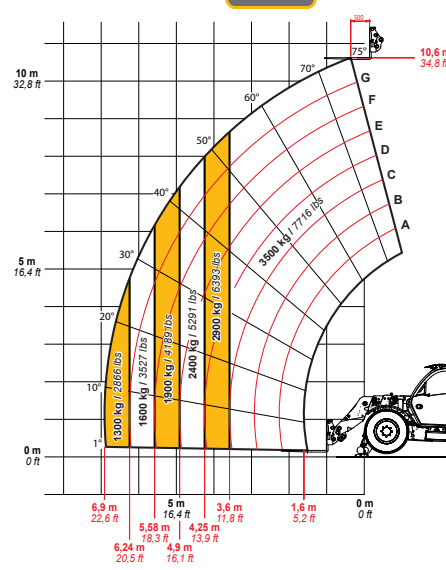
DOC10000837



EN1459

38.10

MAX
3500 kg / 7716 lb



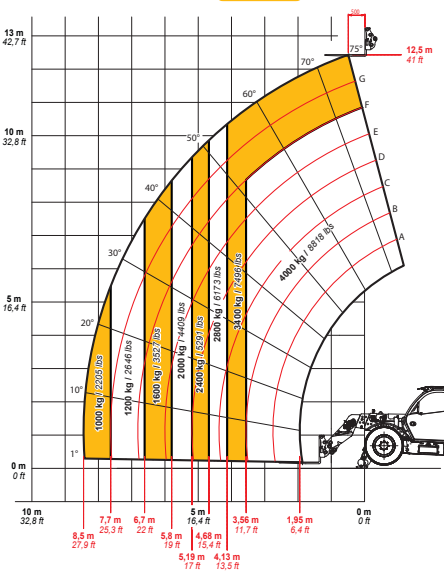
DOC10001195



EN1459

35.11

MAX
4000 kg / 8818 lb



DOC10001197



EN1459

40.13