

**MOVE UP 4.6**  
**MOVE UP 5.6**



## TINY MACHINE, HIGH PRODUCTIVITY

- > Ultra compact design: fit through single doors, elevators...
- > Narrow turning radius to fit with confined spaces constraint
- > Lightweight to work on sensitive grounds or in multi-story projects

## LOW SIZE, HIGH AGILITY

- > Small platform to work in tiny spaces
- > Heavy tools and material transportable at once: platform capacity up to 159 kg

## LOW MAINTENANCE, EASY TO USE

- > No set up time, just push the machine where you want to use it
- > Maintenance free battery



# MOVE UP 4.6

# MOVE UP 5.6

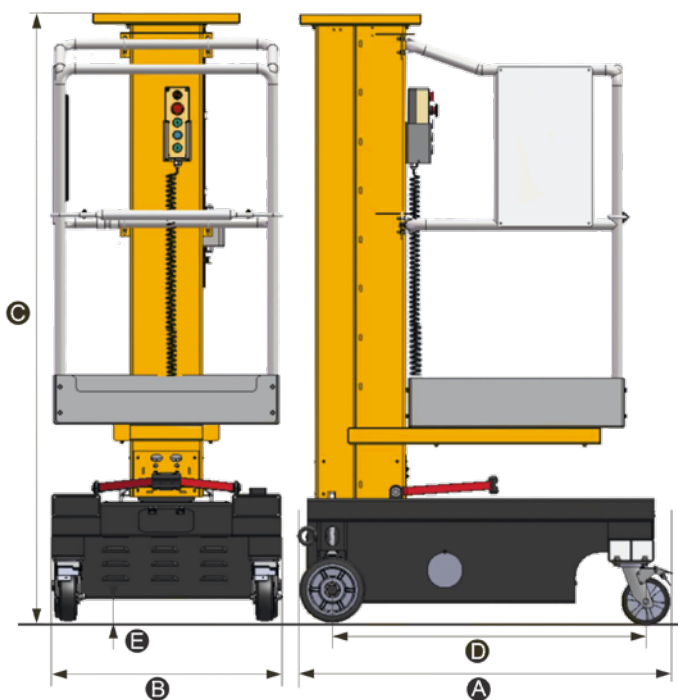
## LOW-LEVEL ACCESS

### TECHNICAL DATA

	MOVE UP 4.6	MOVE UP 5.6
Working height	4.6 m	5.6 m
Platform height	2.6 m	3.6 m
Lift capacity	159 kg (1 pers.)	
Platform size	0.67 m x 0.66 m	
<b>A</b> Length	1.11 m	
<b>B</b> Width	0.7 m	
<b>C</b> Height - stowed	1.86 m	
<b>D</b> Wheel base	0.95 m	
<b>E</b> Ground clearance	6 cm	
Motion	Push-Around - Manual	
Turning radius - Inside	0 m	
Turning radius - Outside	1.2 m	
Tilt	1.5 °	
Tyres size (front / back)	150 mm x 48 mm / 200 mm x 50 mm	
Battery	12V DC - AGM	
Weight	288 kg	378 kg

### STANDARD EQUIPMENT

- > Electrically driven lifting
- > Manual horizontal motion (push around)
- > Maintenance free AGM battery
- > Battery charger 10 Ah
- > Battery level indicator on lower control box
- > Battery charge indicator
- > 2 fixed wheels - 2 castor wheels
- > Mechanical wheel lock
- > Sliding bar
- > Mobile upper control box
- > Charger plug with dedicated storage box
- > Tilt indicator on upper control box
- > Emergency lowering descent
- > Hour meter
- > Forklift pockets
- > 15 kg tray



MOVE UP 4.6 / MOVE UP 5.6

