

YOUR COMPANY IS NOT A CIRCUS



NO MORE ACROBATICS
ON LADDERS



ALL THE SAFETY OF
ELEVAH[®]
THE MACHINES THAT GIVE YOU A LIFT!

Faraone[®]
Industrie spa

www.elevah.com



2017

LE NOSTRE MACCHINE

ELEVAH® PICKING
INDOOR / OUTDOOR USE

ELEVAH® MOVE
INDOOR USE

ELEVAH® MANUAL DRIVE
INDOOR / OUTDOOR USE

SPECIAL ELEVAH®
INDOOR USE



80MP
65MP
p.8



80M
65M
p.24



70
p.38



SPECIALE
CELLARS
p.56



51MP
p.12



50M
p.28



61
p.40



SPECIAL
AGRI
p.58



50MP
p.16



40M
40B
p.30



50F
p.42



SPECIAL
ATEX
p.60



47P
p.18



80ES M
65ES M
p.34



400XL
p.44



PKS65
TIRES
SPECIAL
p.61



40MP
40BP
p.20

PKS AND ZP SERIES



PKS 1200
p.64



PKS 920
p.66

ZP 150
p.68

ZP 200
p.70



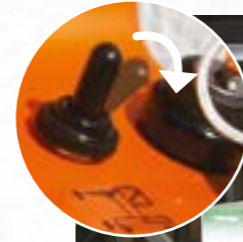
ACCESSORIES AND
CUSTOMISATION
p.46

ELEVAH® PICKING

PRACTICAL AND ERGONOMIC PICKING TRUCKS

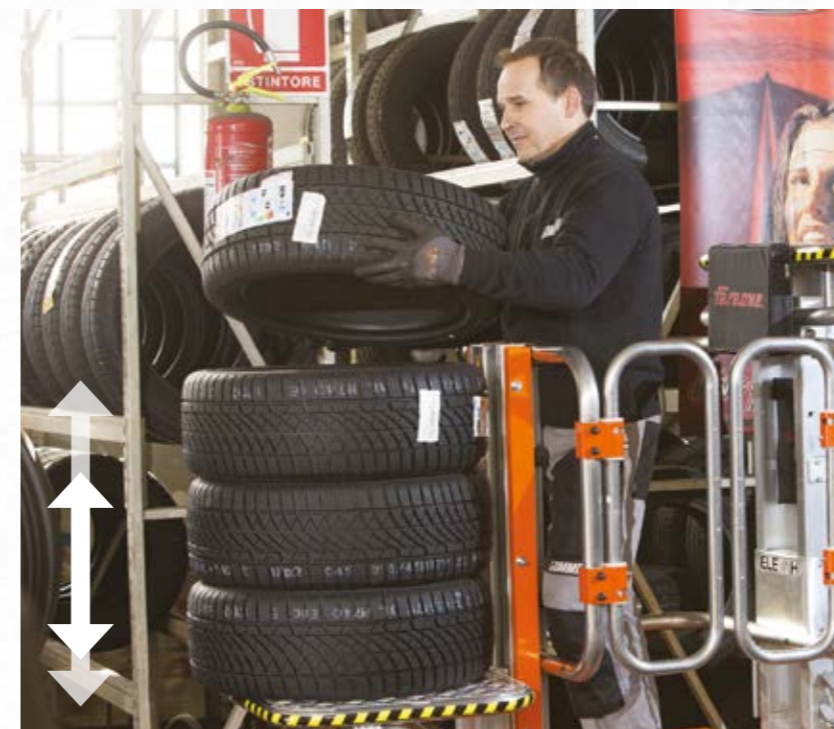
The electric platform

In addition to having a payload capacity of 100 kg this is able to hold up to to 0.4 square meters of goods, whilst ensuring easy operator handling.



Single lever joystick

The single lever joystick permits the machine to be completely controlled using only one hand.



ELEVAH®

PLATFORMS FOR WORKING IN SAFETY EVEN AT LOW LEVELS

This new type of platform arose from the need to increase the level of safety at lower heights as well, either when maintenance work or inspection was being carried out on a daily basis, for example, on construction sites and in industry, or during the storage or picking of products in warehouses and supermarkets.



Why does safety need to be improved at lower heights?

Falls from a height are one of the leading causes of death or serious injury at work. One of the most common causes is falling from a ladder (Wahr Guide 2005). According to an estimate published by the German worker associations (Berufsgenossenschaften), organisations which are responsible for preventing accidents at work, about 85% of all falls from a ladder occur from a height of no more than 3m. The reason for almost 90% of all accidents due to ladders is their lack of stability.

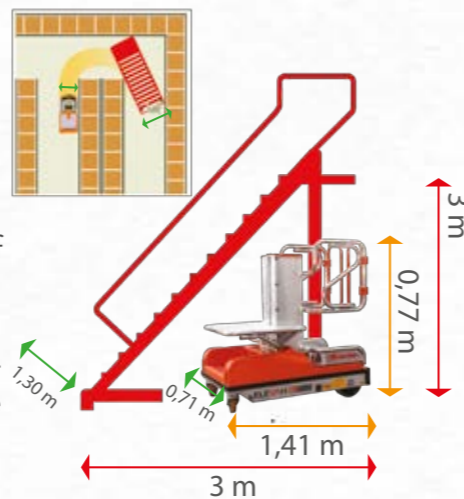


The new regulations

WAHR (work at Height Regulations): since 2005 new regulations have been introduced in the UK which require employers and all those who carry out work at height to use the right equipment to ensure maximum safety. At the same time using ladders at a height of more than 2m was forbidden.

UNI-EN 131-7: From July 2013 this European Standard became official; it covers mobile ladders

with a maximum height of 5 m, a working platform with a maximum area of 1m² and a combined maximum load (user + equipment + tools + material) of 150 kg. This regulation prohibits the use of traditional ladders when working at height and has introduced very strict tests; consequently new ladders are more cumbersome, much heavier and thus less efficient



Elevah is the answer to the new safety requirements

Over the past few years, the need for there to be light and compact platforms available at your business or construction site has greatly increased. These must be able to reach even the most awkward places quickly whilst above all ensuring the maximum safety of the operators who have to work at height.



The Elevah series

The series grew out of Faraone Industrie SPA's constant search for solutions which would allow people to work at height in complete safety. The Elevah series includes a wide range of machines which share the common characteristics of being light in weight, easy to handle and absolutely safe.

FOR US SAFETY IS NOT JUST A DETAIL



Maximize safety in your company

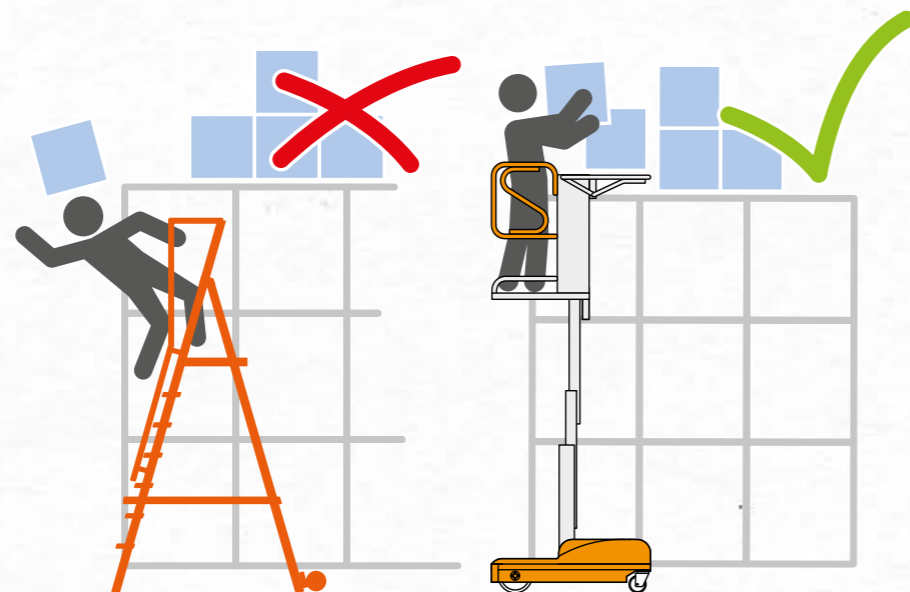
The Elevah stands out because of the great attention given to every single detail which increases operator safety.

SAFETY FIRST

- Automatic cage locking
- Anti-tilting system
- Electronic slope monitoring
- Electronic braking system
- Overload monitoring
- Emergency hydraulic lowering

Increase the protection factor

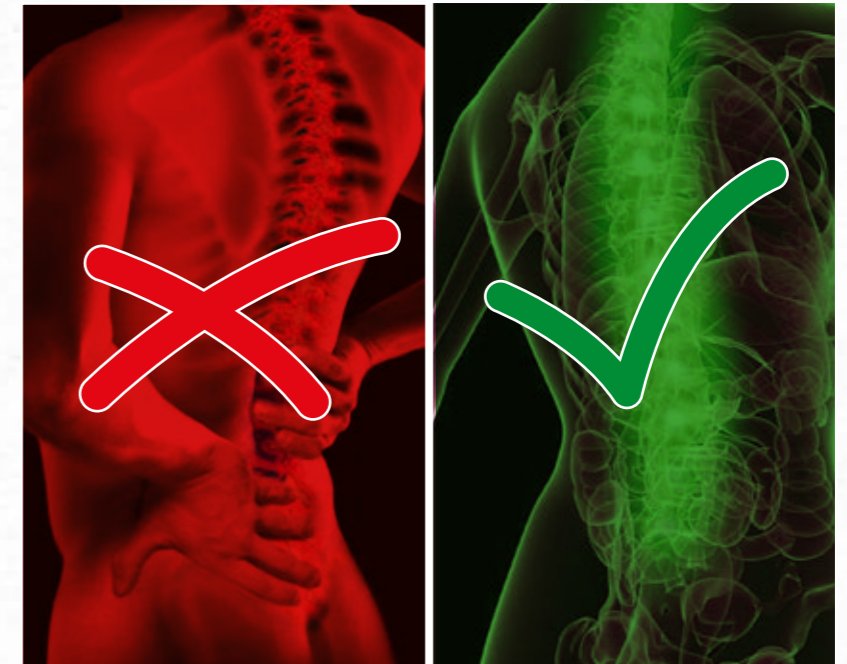
By minimizing the risk of accidents when working at height.



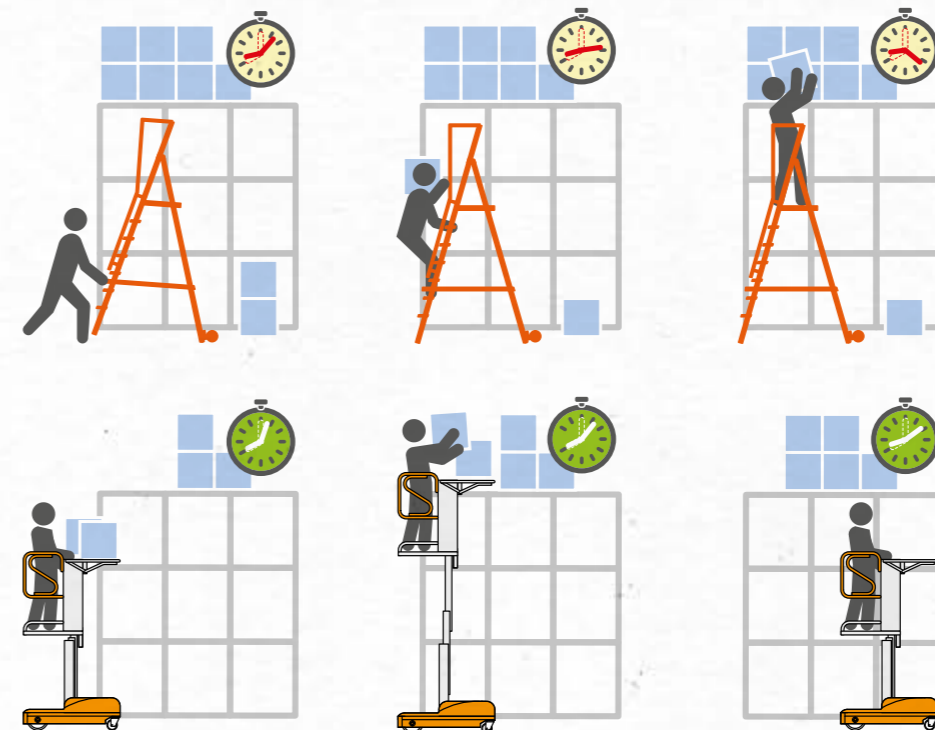
PREVENTION IS BETTER THAN CURE

Raise the level of prevention

By significantly reducing the risk of accidents, thanks to the ergonomically designed workstations. These allow the user to work without excessive effort and maintain the correct posture.



SAVE TIME, EFFORT AND MONEY



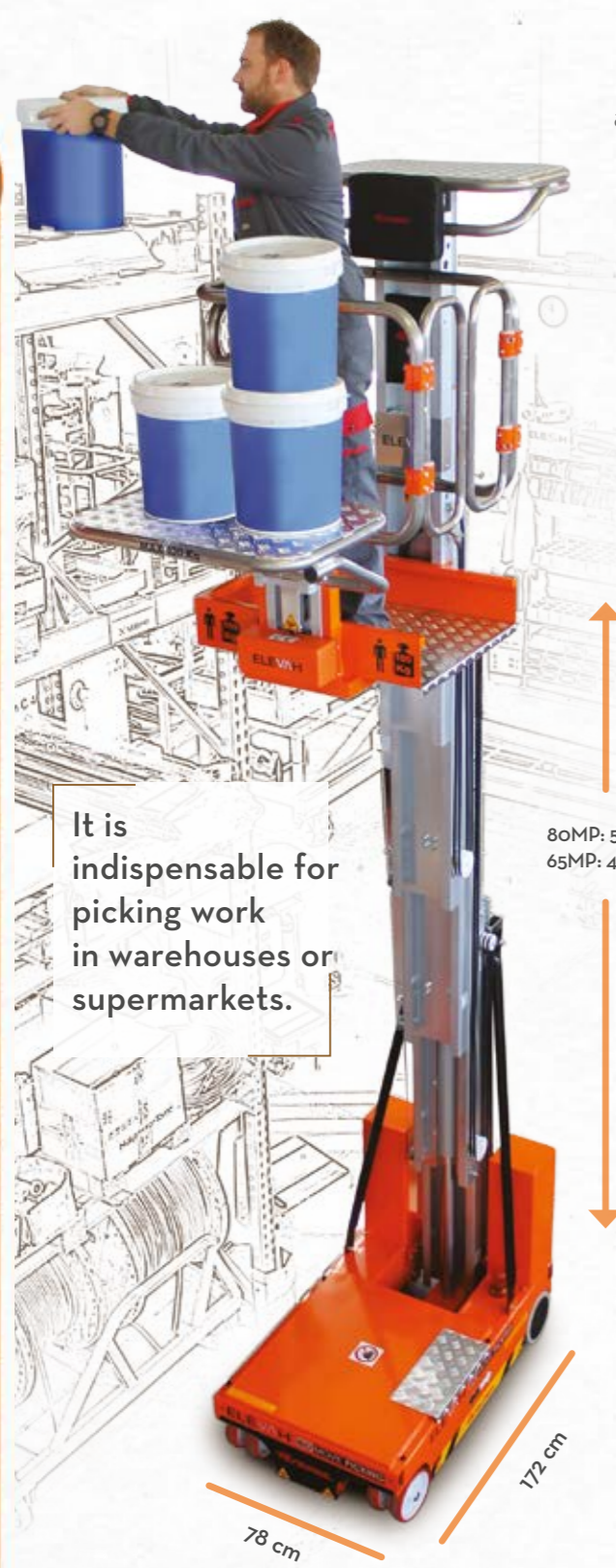
Increase your business's profitability

By having machines available which can move around quickly, are easy to handle and are equipped according to the activities which are being performed at height (maintenance, inspection or picking).

ELEVAH[®] 80 and 65 MOVE picking

ELEVAH 80 and 65 MOVE PICKING

STOCK PICKERS



It is indispensable for picking work in warehouses or supermarkets.

80MP: 5,75 m
65MP: 4,70 m

Stock pickers to reach 7,75 m and 6,65 m working height. The right solution for picking activities up to 100 kg capacity. It permits to use the max height of your warehouse as well as optimising the costs. Restrained weight, minimum footprint and an incredible manoeuvrability enable to these equipment to move around easily even in very small spaces.



MAXIMUM COMFORT

Thanks to the reach of the electric picking platform and the extremely ergonomic workstation, the picking of products can be done easily and in comfort.



- Side entrance with sensors which stop the cage opening.
- Dual operator presence device.
- Anti-tilting device.
- Electronic slope monitoring.
- Overload monitoring.



80MP 65MP

790 kg 720 kg 200 kg kg. 20

THE COLUMNS AND CAGE ARE OF ALUMINIUM



SOME ACCESSORIES AND CUSTOMISATION



PICK.PLE: Certification of the machine following Aerial Platform norms.

OTHER ACCESSORIES AND CUSTOMISATION ON P. 46

They facilitate the operator's work, while ensuring the highest standards of safety.



DOUBLE PICKING PLATFORM

In addition to the large electric platform, which is height adjustable with a maximum payload capacity of 100 kg, there is a large fixed platform.

BLUE SPOT

Upper protection and signalling beacon. (See BLUE SPOT and BLUE SPOT1, p. 54)



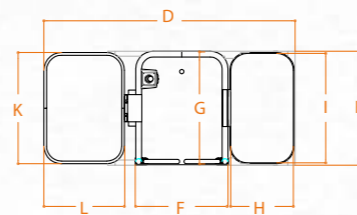
ELEVAH 80 and 65 MOVE PICKING

STOCK PICKERS

ELEVAH® 80 MOVE picking

TECHNICAL DATA

Max. working height		7,75 m
Max capacity		200 kg
Number of people		1
Use		Internal - External
A	Closed machine height	1980 mm
B	Minimum platform height	590 mm
C	Maximum platform height	5750 mm
D/E	Base overall dimensions	1720 x 780 mm
F/G	Cage dimensions	630 x 780 mm
Machine weight		790 kg
H/I	Fixed picking tray dimensions	500 x 760 mm
Fixed picking tray capacity		20 kg
Drive wheels dimension		Ø 220 x 65
Swivel wheels dimensions		Ø 200 x 50

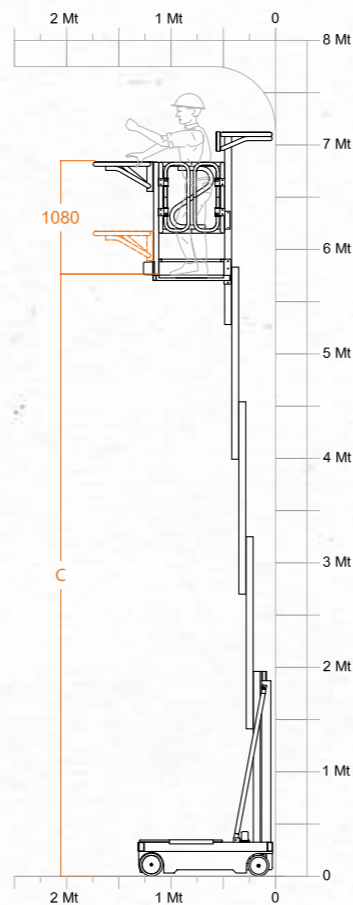
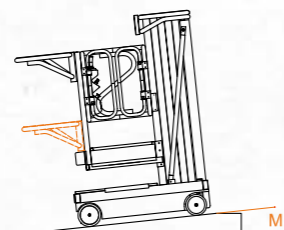
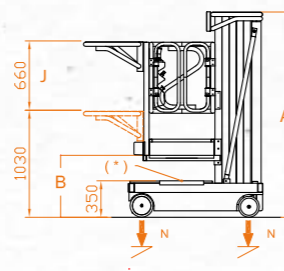


PICKING PLATFORM

Adjustment		electrical
J	Stroke	660 mm
Min. height from the ground		1030 mm
Maximum height from the ground		6830 mm
K/L	Dimensions	550 x 760 mm
Capacity		100 kg

PERFORMANCE

Power supply		electrical
Batteries		Lead-Acid Batteries 12V 105 Ah
Battery charger		110V - 220V
M	Maximum climbing ability	15%
Climbing ability at height		2,5%
Internal turning radius		0
External turning radius		1095 mm
Max. speed (rising - descending)		0,2 m/s
Maximum shifting speed (on the ground - at height)		1,0 - 0,22 m/s
N	Maximum pressure for wheel at full load*	3,50 kN
Work cycles ** (with fresh batteries)		Ca. 130



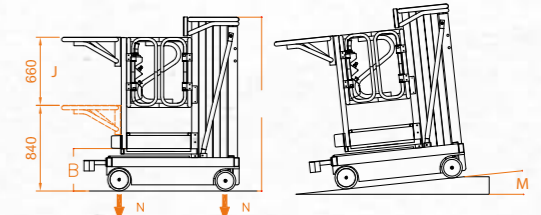
*Maximum pressure whereas the weight of the platform plus the maximum load on the basket are completely distributed on one side of the platform (totally asymmetric load).

**By work cycle we mean a self-propelled movement of 20 m with a full ascent to and descent from the maximum height and with adjustment of the loading platform.

ELEVAH® 65 MOVE picking

Technical data

Max. working height		6,50 m
Max capacity		200 kg
Number of people		1
Use		Internal - External
A	Closed machine height	1720 mm
B	Minimum platform height	420 mm
C	Maximum platform height	4700 mm
D/E	Base overall dimensions	1720 x 780 mm
F/G	Cage dimensions	630 x 780 mm
Machine weight		720 kg
H/I	Fixed picking tray dimensions	460 x 760 mm
Fixed picking tray capacity		20 kg
Drive wheels dimension		Ø 220 x 65
Swivel wheels dimensions		Ø 200 x 50

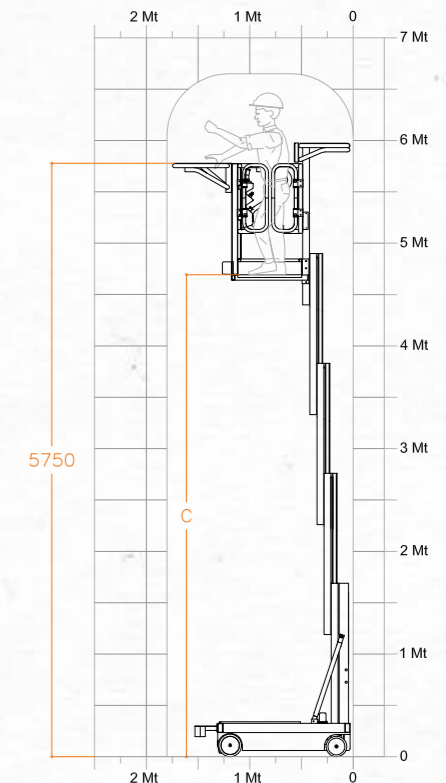
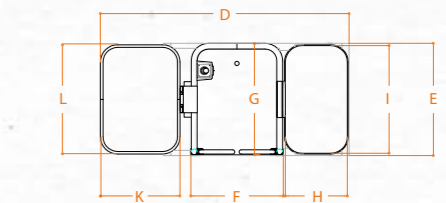


PICKING PLATFORM

Adjustment		electrical
J	Stroke	660 mm
Min. height from the ground		840 mm
Maximum height from the ground		5750 mm
K/L	Dimensions	550 x 760 mm
Capacity		100 kg

PERFORMANCE

Power supply		electrical
Batteries		Lead-Acid Batteries 12V 105 Ah
Battery charger		110V - 220V
M	Maximum climbing ability	15%
Climbing ability at height		2,5%
Internal turning radius		0
External turning radius		1095 mm
Max. speed (rising - descending)		0,2 m/s
Maximum shifting speed (on the ground - at height)		1 - 0,22 m/s
N	Maximum pressure for wheel at full load*	3,20 kN
Work cycles ** (with fresh batteries)		Ca. 130

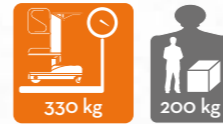


*Maximum pressure whereas the weight of the platform plus the maximum load on the basket are completely distributed on one side of the platform (totally asymmetric load).

**By work cycle we mean a self-propelled movement of 20 m with a full ascent to and descent from the maximum height and with adjustment of the loading platform.

ELEVAH® 51 MOVE picking

Elevah® 51 MP is the only stock picker made entirely of aluminium and that combines a weight of 330 kg with a safe load capacity of 200 Kg.

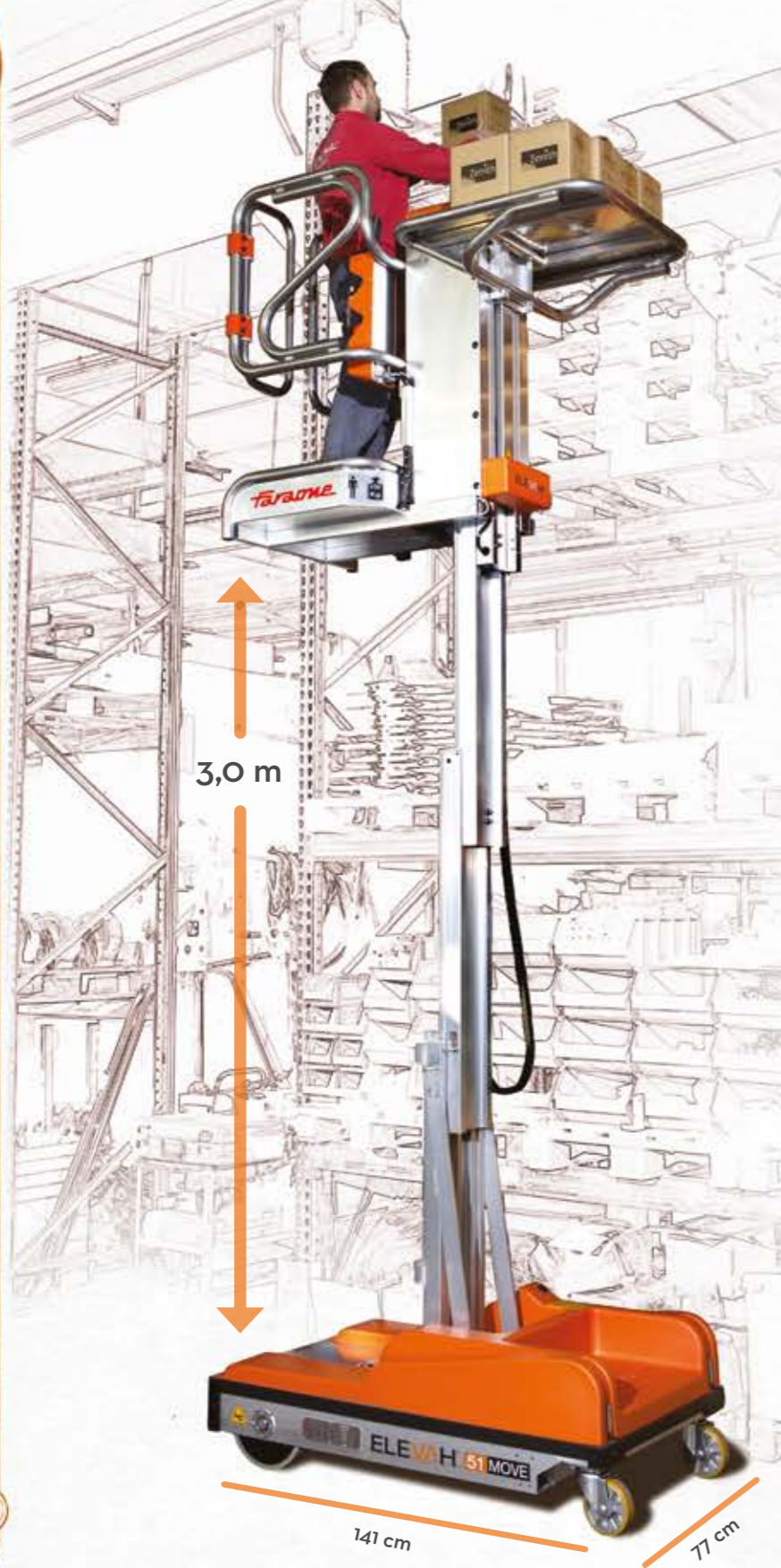


MAXIMUM PRODUCTIVITY
IN A SMALL SPACE.

Thanks to its compact size (77 x 143 cm) and a large and sturdy electric picking platform (with a stroke of 640 mm) the productivity of your company will increase.

ELEVAH 51 MOVE PICKING

STOCK PICKERS



Quick and nifty,
it is ideal for moving
about in tight spaces
and in shop aisles



QUICK AND EASY TO USE
It is extremely easy to handle with quick
selfpropulsion: 5 km/h at top speed.
It has a zero turning circle.

FULLY ALUMINUM



COMPLETE CONTROL
IN ONE HAND THANKS
TO THE SINGLE LEVER JOYSTICK



ELEVAH 51 MOVE PICKING

STOCK PICKERS

ELEVAH[®] 51MOVE picking



CUSTOMIZABLE PICKING PLATFORM
Several possibilities to customize the picking platform based on customers' needs.
(Details on p. 49)



EXTENSIBLE

+20 cm

FOLDING EDGES.



EXTRALONG FIXED PICKING PLATFORM



+20 cm

SOME ACCESSORIES AND CUSTOMISATION



4KIT: kit with 4 Batteries to double machine's autonomy.

RL: side rollers to drive through shelf aisles.

OTHER ACCESSORIES AND CUSTOMISATION ON P. 46

Technical data

Max. working height	5,10 m	
Max capacity	200 kg	
Number of people	1	
Use	Internal - External	
A	Closed machine height	1430 mm
B	Minimum platform height	325 mm
C	Maximum platform height	3000 mm
D/E	Base overall dimensions	770 x 1410 mm
F/G	Cage dimensions	580 x 740 mm
Machine weight	330 kg	
Drive wheels dimension	Ø 300 x 76	
Swivel wheels dimensions	Ø 150 x 40	

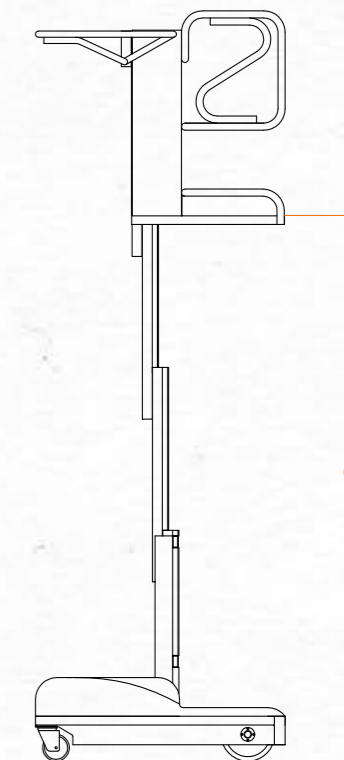
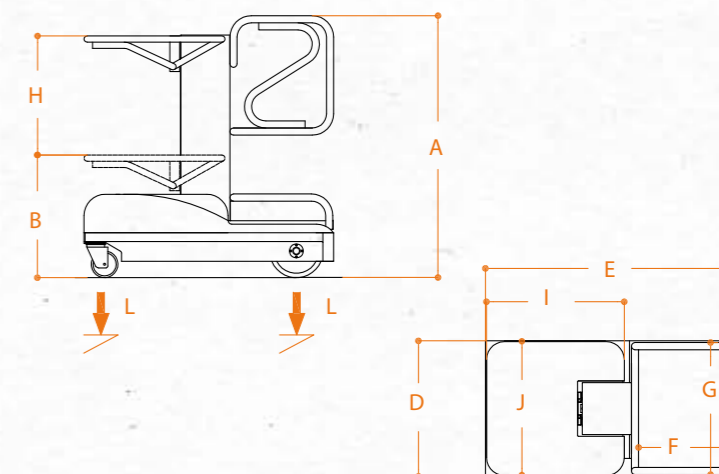


PICKING PLATFORM

Adjustment	electrical	
H	Stroke	640 mm
Min. height from the ground	690 mm	
Max. height from the ground	4010 mm	
I/J	Dimensions	780 x 760 mm
Capacity	100 kg	

PERFORMANCE

Power supply	electrical	
Batteries	2 AGM 12V 85 Ah	
Battery charger	110V - 220V	
K	Maximum climbing ability	15%
Climbing ability at height	5%	
Internal turning radius	0	
External turning radius	1380 mm	
Max. speed (rising - descending)	0,15 m/s	
Maximum shifting speed (on the ground - at height)	1,25 - 0,42 m/s	
L	Maximum pressure for wheel at full load*	1,90 kN
Work cycles ** (with fresh batteries)	Ca. 100	



* Maximum pressure whereas the weight of the platform plus the maximum load on the basket are completely distributed on one side of the platform (totally asymmetric load).
** By work cycle we mean a self-propelled movement of 20 m with a full ascent to and descent from the maximum height and with adjustment of the loading platform.

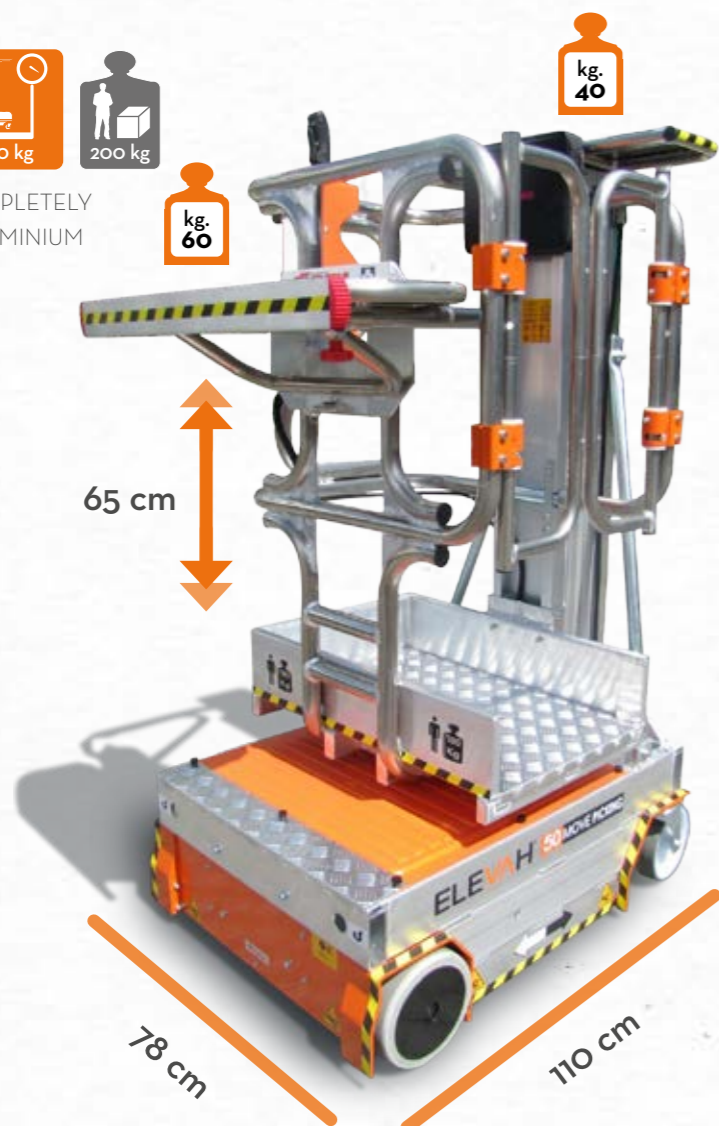
ELEVAH® 50 MOVE picking



The model Elevah 50 MP is the stock picker that weighs 400 kg and has a capacity of 200 kg. It is equipped with double picking tray.



COMPLETELY ALLUMINIUM



It is extremely compact (78 cm X 110 cm) allowing to move easily around very narrow spaces.

PICKING PLATFORMS

It is equipped with an extendable as well as adjustable in height picking platform with a winch at the operator's station. It is also equipped with a fixed tools platform. The picking platform has a capacity of 60 kg, whereas the tools platform has a maximum capacity of 40 kg.



COMPLETE CONTROL IN ONE HAND

The single lever joystick allows the operator to have one hand free and carry out other operations at height with ease.

SOME ACCESSORIES AND CUSTOMISATION

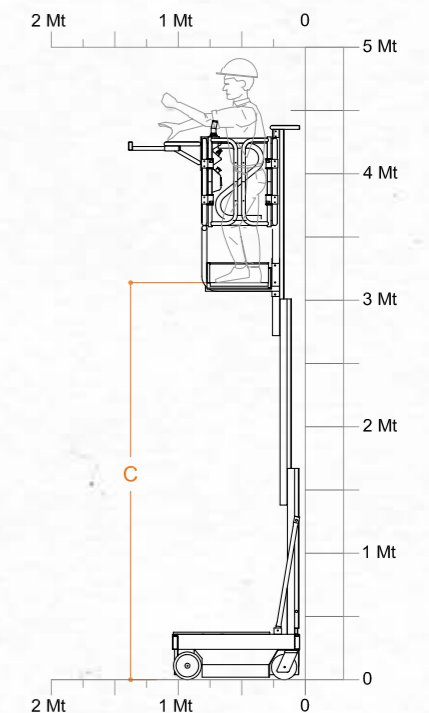
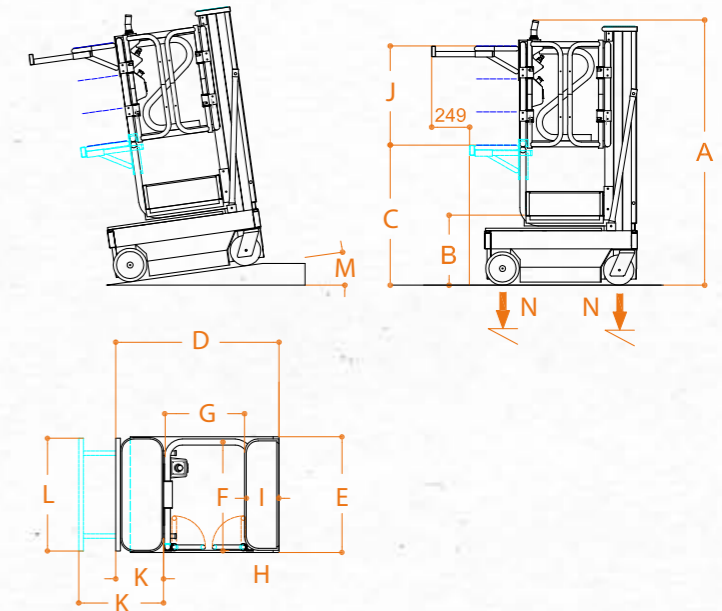


ZA: ballast for slippery floors (100 kg).

OTHER ACCESSORIES AND CUSTOMISATION ON P. 46

Technical data

Max. working height		5,14 m
Max capacity		200 kg
Number of people		1
Use		Internal - External
A	Closed machine height	1750 mm
B	Minimum platform height	460 mm
C	Maximum platform height	3140 mm
D/E	Base overall dimensions	1100 x 780 mm
F/G	Cage dimensions	760 x 540 mm
Machine weight		400 kg
H/I	Fixed picking tray dimensions	230 x 750 mm
Dimensioni piano fisso		40 kg
Drive wheels dimension		Ø 220 x 65
Swivel wheels dimensions		Ø 200 x 45
PIANO PICKING		
Adjustment		manual
J	Stroke	650* mm
Min. height from the ground		920 mm
Max. height from the ground		4250 mm
K/L	Dimensions	320 (570) x 770 mm
Capacity		60 kg
PERFORMANCE		
Power supply		electrical
Batteries		Lead-Acid Batteries 12V 105 Ah
Battery charger		110V - 220V
M	Pendenza massima superabile	13%
Climbing ability at height		2,5%
Internal turning radius		0
External turning radius		1200 mm
Max. speed (rising - descending)		0,12 - 0,15 m/s
Maximum shifting speed (on the ground - at height)		0,9 - 0,2 m/s
N	Maximum pressure for wheel at full load*	2,1 kN
Work cycles ** (with fresh batteries)		Ca. 140



* Maximum pressure whereas the weight of the platform plus the maximum load on the basket are completely distributed on one side of the platform (totally asymmetric load).
 ** By work cycle we mean a self-propelled movement of 20 m with a full ascent to and descent from the maximum height and with adjustment of the loading platform.

ELEVAH[®]47 picking

ELEVAH[®]47 compact, safe and versatile for working at heights of up to 4.60m. With its 260 kg weight and a payload capacity of 200 kg,



A large loading platform which can be adjusted automatically when raised.

Ascent and descent with maximum simplicity and safety.



Maximum thrust 8 kg



SOME ACCESSORIES AND CUSTOMISATION



PMES: extralong extensible picking Platform (+20cm).

OTHER ACCESSORIES AND CUSTOMISATION ON P. 46



Technical data

Max. working height	4,70 m	
Max capacity	200 kg	
Number of people	1	
Use	Internal - External	
A	Closed machine height	1620 mm
B	Minimum platform height	395 mm
C	Maximum platform height	2700 mm
D/E	Base overall dimensions	780 x 1373 mm
F/G	Cage dimensions	700 x 720 mm
Machine weight	260 kg	
Dimensioni ruote fisse	Ø 200 x 50	
Swivel wheels dimensions	Ø 150 x 45	



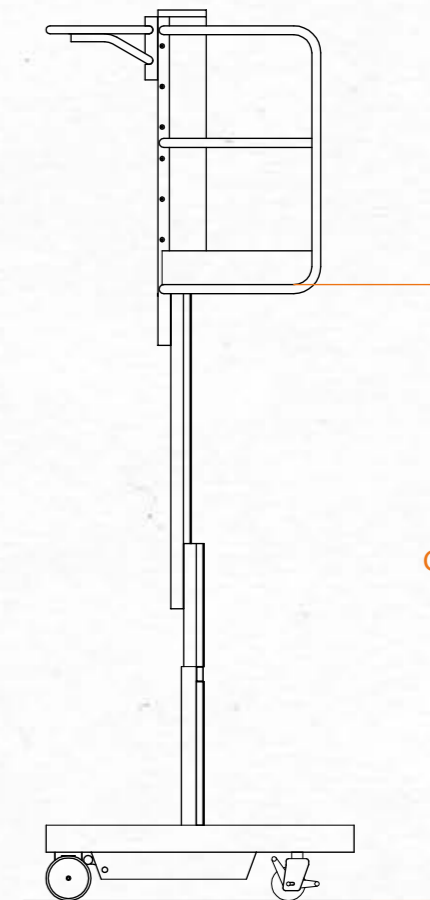
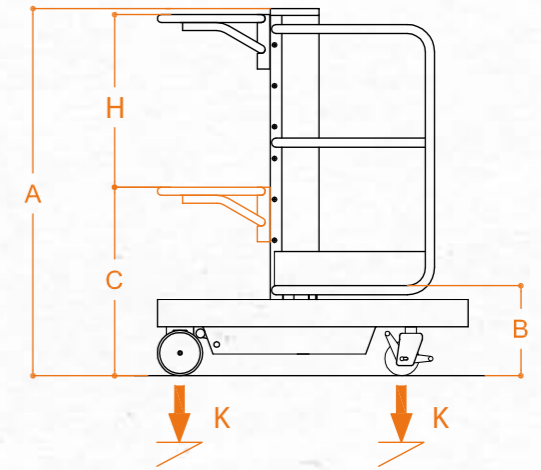
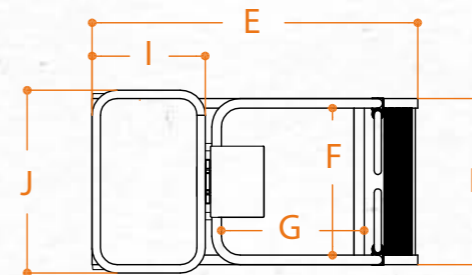
PIANO PICKING

Adjustment	electrical	
H	Stroke	760 mm
Min. height from the ground	830 mm	
Max. height from the ground	3880 mm	
I/J	Dimensions	477 x 786 mm
Capacity	80 kg	

PERFORMANCE

Batteries	2xAGM - 12 V 45 Ah	
Battery charger	110V - 220V	
Max. speed (rising - descending)	0,20 - 0,15 m/s	
Manual force to move it (at the start - in motion)	8 - 5 kg	
K	Maximum pressure for wheel at full load*	1,60 kN

* Maximum pressure whereas the weight of the platform plus the maximum load on the basket are completely distributed on one side of the platform (totally asymmetric load).



ELEVAH® 40 MOVE picking



PRODUCT OF THE YEAR 2015



The **self propelled** machine for safe picking activities to up to 4 metres, with **automatic elevation** and a 24 volt battery.

The **AGM 45A batteries** allow to double the autonomy of the machine.



MANUAL REMOTE CONTROL
The manual remote control adjusts the picking platform in the height, even when loaded, leaving the operator staying in the basket.



SELF PROPELLED



SOME ACCESSORIES AND CUSTOMISATION



C: belt with winder to block goods during picking activities
40 PR: Adjustable banks for picking platform.

OTHER ACCESSORIES AND CUSTOMISATION ON P. 46

SELF PROPELLED ON THE GROUND - MAX. WORKING HEIGHT 4 M

CE Complies with European regulations for man-up forklift trucks. EN 1726-1 / UNI EN 1726-2. In assessing compliance, only those standards whose proposed measures have been implemented were considered and only if a corresponding risk does indeed exist.

www.faraone.com | www.elevah.com

ELEVAH® 40 B picking



The picking machine with an elevation of up to 4 metres, having **manual traction** and **automatic elevation** with a 24-volt battery.



EXTENDIBLE PICKING PLATFORM



PUSH AROUND MACHINE



PUSH AROUND MACHINE - MAX. WORKING HEIGHT 4 M

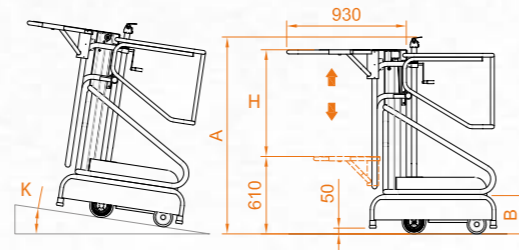
CE Complies with European regulations for man-up forklift trucks. EN 1726-1 / UNI EN 1726-2.

MADE IN ITALY FARAONE industrie spa

ELEVAH[®] 40 MOVE picking

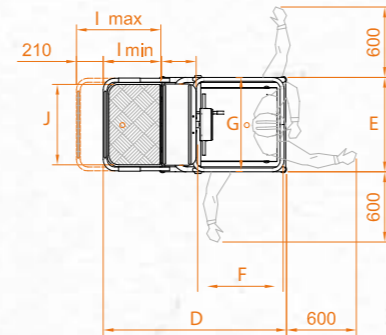
TECHNICAL DATA

Max. working height		4,00 m
Max capacity		150 kg
Number of people		1
Use		Internal - External
A	Closed machine height	1550 mm
B	Minimum platform height	300 mm
C	Maximum platform height	1950 mm
D/E	Base overall dimensions	995 x 740 mm
F/G	Cage dimensions	690 x 740 mm
Machine weight		190 kg
Fixed picking tray dimensions		270 x 630 mm
Driving (steering) wheel size		Ø 190 x 60
Swivel wheels dimensions (fixed)		Ø 150 x 45



PIANO PICKING

Adjustment		manual
H	Stroke	830 mm
Min. height from the ground		610 mm
Maximum height from the ground		3100 mm
I/J	Dimensions	450 (660) x 725 mm
Capacity		40 kg

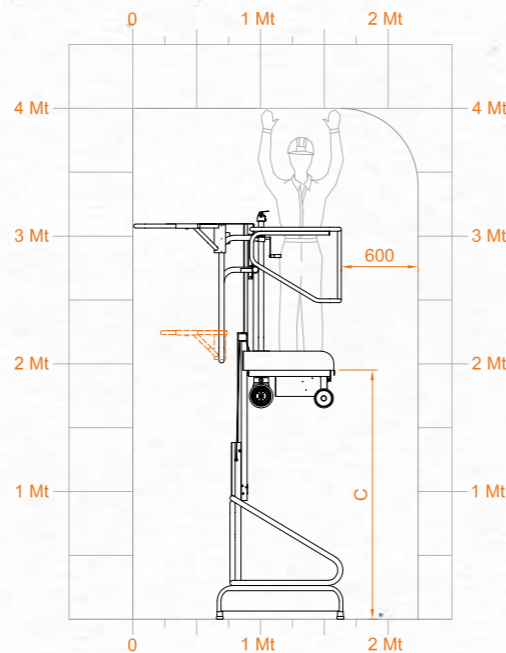


PERFORMANCE

Power supply		electrical
Batteries		2 AGM 12V 45 Ah*
Battery charger		110V - 220V
K	Maximum climbing ability	15%
Internal turning radius		0
External turning radius		800 mm
Max. speed (rising - descending)		0,08 - 0,10 m/s
Maximum shifting speed		0,8 m/s
Work cycles ** (with fresh batteries)		Ca. 100

* Optional - 40BGM

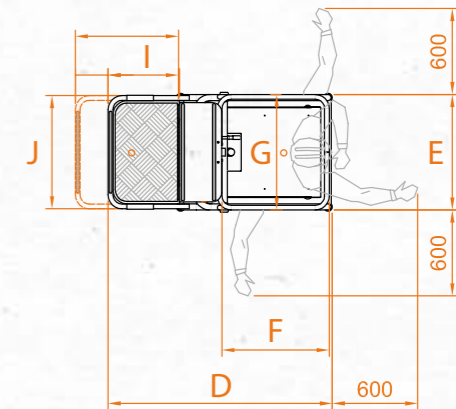
** By work cycle we mean a self-propelled movement of 20 m with a full ascent to and descent from the maximum height.



ELEVAH[®] 40B picking

TECHNICAL DATA

Max. working height		4,00 m
Max capacity		150 kg
Number of people		1
Use		Internal - External
A	Closed machine height	1630 mm
B	Minimum platform height	310 mm
C	Maximum platform height	1960 mm
D/E	Base overall dimensions	995 x 740 mm
F/G	Cage dimensions	690 x 740 mm
Machine weight		162 kg
Fixed picking tray dimensions		270 x 630 mm
Driving (steering) wheel size		Ø 200 x 50
Swivel wheels dimensions (fixed)		Ø 150 x 45



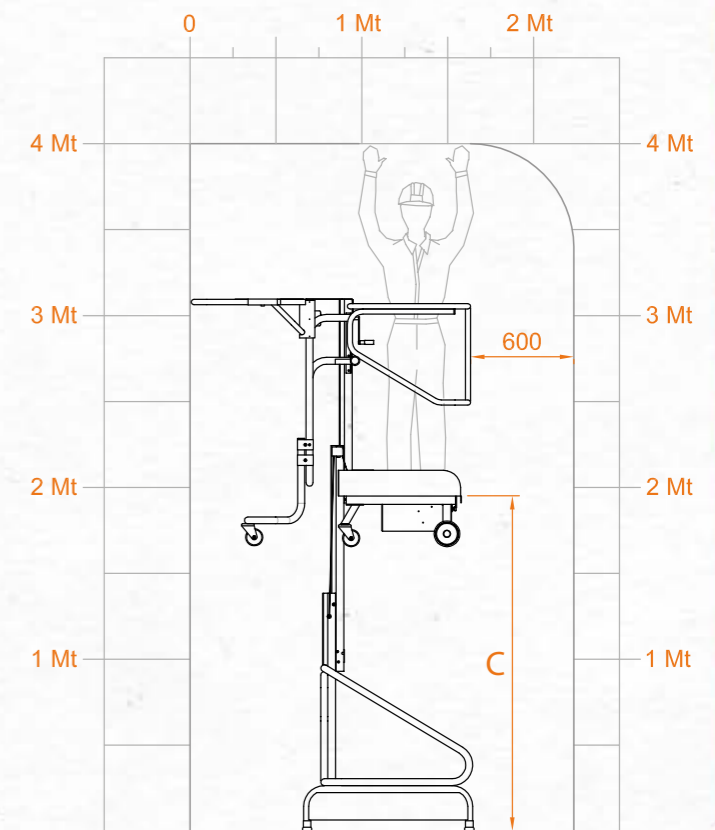
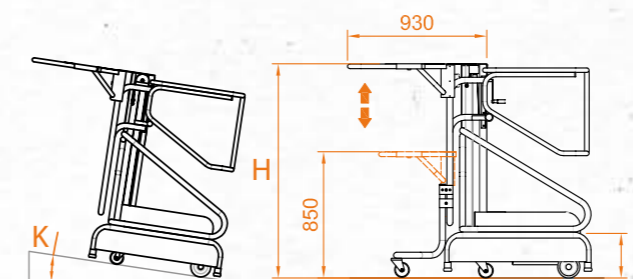
PICKING PLATFORM

Adjustment		meccanica
H	Stroke	710 mm
Min. height from the ground		850 mm
Max. height from the ground		3100 mm
I/J	Dimensions	450 (660) x 725 mm
Capacity		40 kg

PERFORMANCE

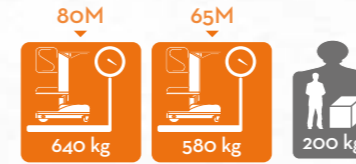
Batteries		2xAGM - 12 V 33 Ah
Battery charger		110V - 220V
K	Maximum climbing ability	15%
Max. speed (rising - descending)		0,10 - 0,16 m/s
Work cycles * (with fresh batteries)		Ca. 100

* By work cycle we mean a self-propelled movement of 20 m with a full ascent to and descent from the maximum height.



ELEVAH[®] 80 and 65 MOVE

These aerial platforms are compact, sturdy as well as reliable, allow to make maintenance activities at height up to 7,75m and 6,5m.



COLUMNS AND CAGE ARE OF ALUMINIUM

COMPACT AND VERY LIGHTWEIGHT

Their light weight and their extremely easy handling make these machines ideal for use on delicate flooring.

ELEVAH 80 and 65 MOVE

ELEVAH 80 and 65 MOVE



ideal for the maintenance of theatres, museums, conference halls and sports arenas, etc.

80MP: 5,75 m
65MP: 4,70 m



SELF PROPELLED PLATFORMS

SELF PROPELLED PLATFORMS



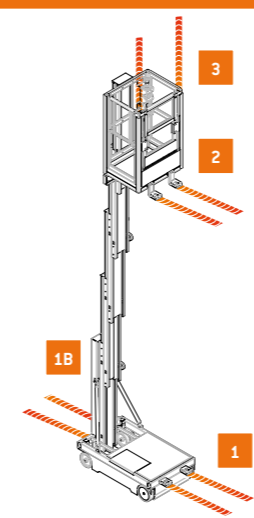
- Automatic cage locking.
- Anti-tilting device.
- Electronic slope monitoring.
- Electronic braking system.
- Overload monitoring
- Emergency hydraulic lowering.



Anti-tilting device



SOME ACCESSORIES AND CUSTOMISATION



- RADAR 1**
Frontal Anti-collision Radar System for the Chassis.
- RADAR 1B**
Rear Anti-collision Radar System for the Chassis.
- RADAR 2**
Frontal Anti-collision Radar System for the Basket.
- RADAR 3**
Anti-collision Radar System to the Top (Driver's Head protection).

OTHER ACCESSORIES AND CUSTOMISATION ON P. 46



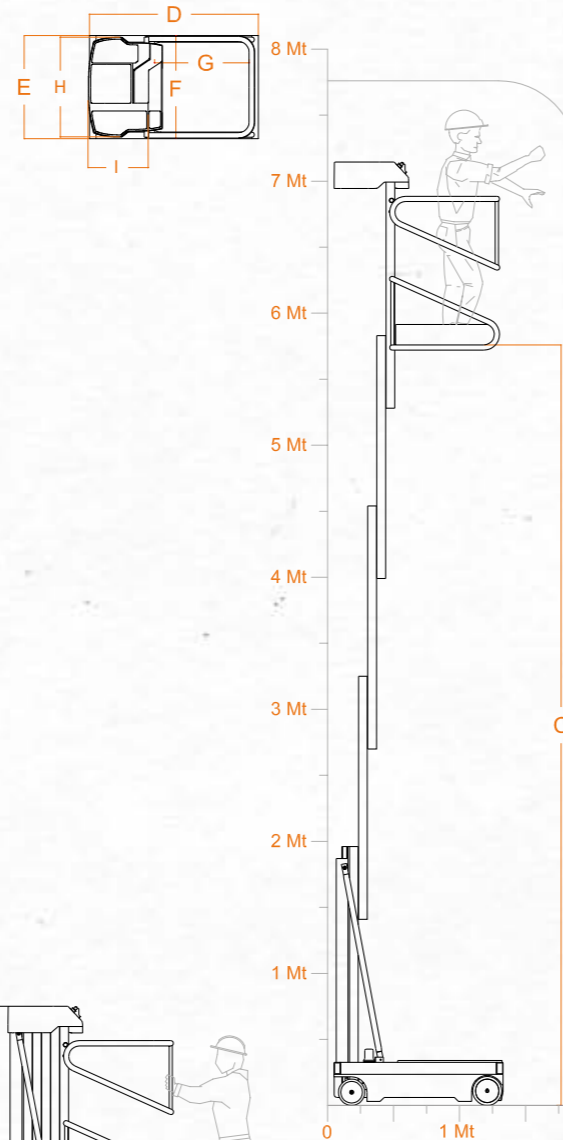
These aerial platform are very easy to be transported. They are so compact that enter into a metro wagon!



ELEVAH® 80 MOVE

TECHNICAL DATA

Max. working height		7,75 m
Max capacity		200 kg
Number of people		1
Use		internal
A	Closed machine height	1990 mm
B	Minimum platform height	590 mm
C	Maximum platform height	5750 mm
D/E	Base overall dimensions	1280 x 780 mm
F/G	Cage dimensions	770 x 790 mm
H/I	Storage tray dimensions	755 x 450 mm
Capacity of storage tray		20 kg
Machine weight		640 kg
Drive wheels dimension		Ø 220 x 65
Swivel wheels dimensions		Ø 200 x 50

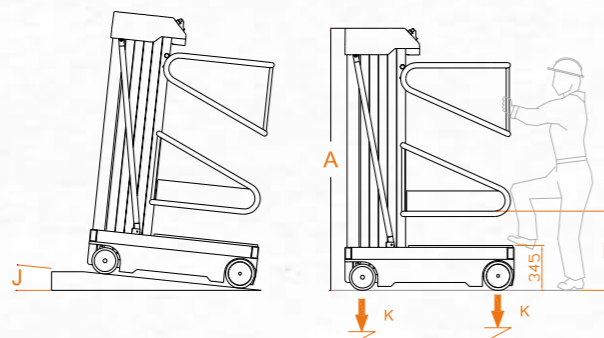


PERFORMANCE

Power supply		elettrica
Batteries		2 Lead-Acid Batteries 12V 105 Ah
Battery charger		110V - 220V
Climbing ability at height		2,5%
J	Maximum climbing ability	15%
Internal turning radius		0
External turning radius		1095 mm
Max. speed (rising – descending)		0,20 m/s
Maximum shifting speed (on the ground - at height)		0,70 - 0,25 m/s
K	Maximum pressure for wheel at full load*	2,95 kN
Work cycles ** (with fresh batteries)		Ca. 130

* Maximum pressure whereas the weight of the platform plus the maximum load on the basket are completely distributed on one side of the platform (totally asymmetric load).

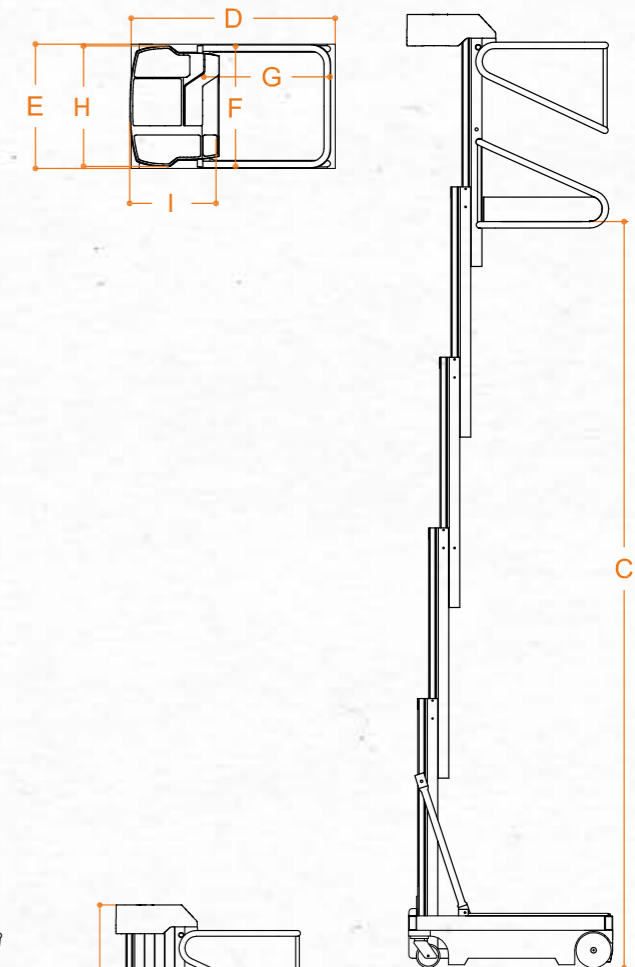
** By work cycle we mean a self-propelled movement of 20 m with a full ascent to and descent from the maximum height and with adjustment of the loading platform.



ELEVAH® 65 MOVE

TECHNICAL DATA

Max. working height		6,60 m
Max capacity		200 kg
Number of people		1
Use		internal
A	Closed machine height	1690 mm
B	Minimum platform height	400 mm
C	Maximum platform height	4600 mm
D/E	Base overall dimensions	1280 x 780 mm
F/G	Cage dimensions	770 x 790 mm
H/I	Storage tray dimensions	755 x 450 mm
Capacity of storage tray		20 kg
Machine weight		580 kg
Drive wheels dimension		Ø 220 x 65
Swivel wheels dimensions		Ø 200 x 50

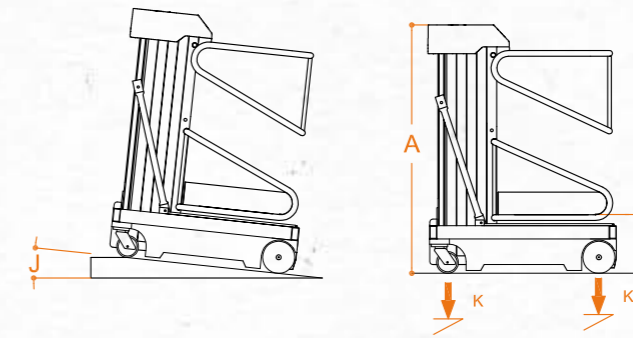


PERFORMANCE

Power supply		electrical
Batteries		2 Lead-Acid Batteries 12V 105 Ah
Battery charger		110V - 220V
Climbing ability at height		2,5%
J	Maximum climbing ability	15%
Internal turning radius		0
External turning radius		1095 mm
Max. speed (rising – descending)		0,20 m/s
Maximum shifting speed (on the ground - at height)		0,70 - 0,25 m/s
K	Maximum pressure for wheel at full load*	2,75 kN
Work cycles ** (with fresh batteries)		Ca. 130

* Maximum pressure whereas the weight of the platform plus the maximum load on the basket are completely distributed on one side of the platform (totally asymmetric load).

** By work cycle we mean a self-propelled movement of 20 m with a full ascent to and descent from the maximum height and with adjustment of the loading platform.



ELEVAH® 50 MOVE

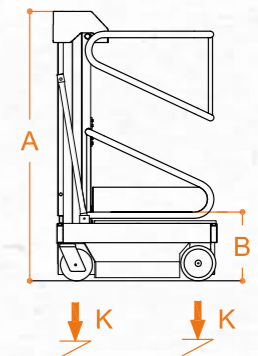


The lightest and most compact platform, designed to allow you to work in safety even in the most restricted and difficult to reach areas. It is ideal for plant engineering companies, industrial maintenance and construction.



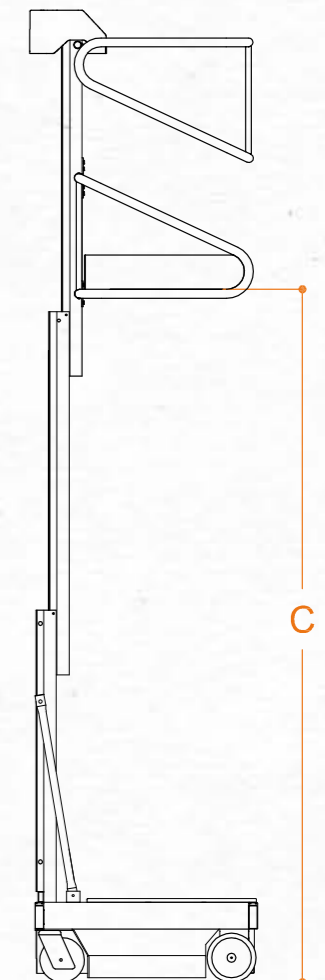
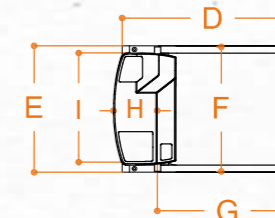
TECHNICAL DATA

Max. working height		5,10 m
Max capacity		200 kg
Number of people		1
Use		internal
A	Closed machine height	1690 mm
B	Minimum platform height	430 mm
C	Maximum platform height	3100 mm
D/E	Base overall dimensions	1020 x 760 mm
F/G	Cage dimensions	700 x 760 mm
H/I	Storage tray dimensions	230 x 620 mm
Capacity of storage tray		20 kg
Machine weight		387 kg
Drive wheels dimension		Ø 220 x 65
Swivel wheels dimensions		Ø 200 x 45



PERFORMANCE

Power supply		electrical
Batteries		2 Lead-Acid Batteries 12V 105 Ah
Battery charger		110V - 220V
Climbing ability at height		2,5%
J	Maximum climbing ability	13%
Internal turning radius		0
External turning radius		1130 mm
Max. speed (rising - descending)		0,12 - 0,15 m/s
Maximum shifting speed (on the ground - at height)		0,93 - 0,22 m/s
K	Maximum pressure for wheel at full load*	2,07 kN*
Work cycles ** (with fresh batteries)		Ca. 140



* Maximum pressure whereas the weight of the platform plus the maximum load on the basket are completely distributed on one side of the platform (totally asymmetric load).
 ** By work cycle we mean a self-propelled movement of 20 m with a full ascent to and descent from the maximum height and with adjustment of the loading platform.

ELEVAH 50 MOVE

SELF PROPELLED PLATFORMS

ELEVAH 50 MOVE

TECHNICAL DATA



EASY TO CARRY

Thanks to its low weight and its size, Elevah 50 Move can be easily transported by any means, even by lift!

SOME ACCESSORIES AND CUSTOMISATION



ZA: ballast for slippery floors (100 kg)

CA: Portable control with 150cm cable.

OTHER ACCESSORIES AND CUSTOMISATION ON P. 46



ELEVAH® 40 MOVE

ELEVAH 40 MOVE

SELF PROPELLED ON THE GROUND



The **self-propelled** platform Elevah 40 MOVE is compact, nimble, easy to be driven, but above all safe.

NEW LOAD SYSTEM. PATENTED.
(See cod. 40 CAR.1 and 40 CR on p.51)



WORK IN SAFETY
It is compact, agile and easy to drive but above all it is safe.



IDEAL IN TIGHT SPACES
Thanks to its incredible dimensions (99.5 x 99.5 cm), Elevah 40 Move is at its best in tight spaces.



ELEVAH® 40 B



The **manual traction** platform Elevah 40B allow you to work up to 4 m in safety.



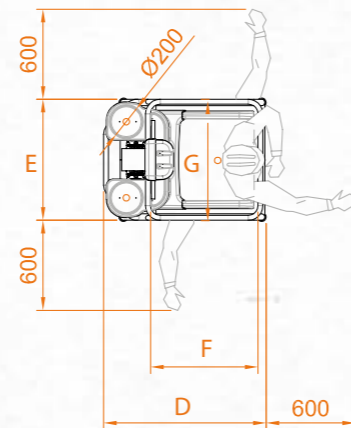
ELEVAH 40B

PUSH AROUND MACHINE

ELEVAH[®] 40 MOVE

TECHNICAL DATA

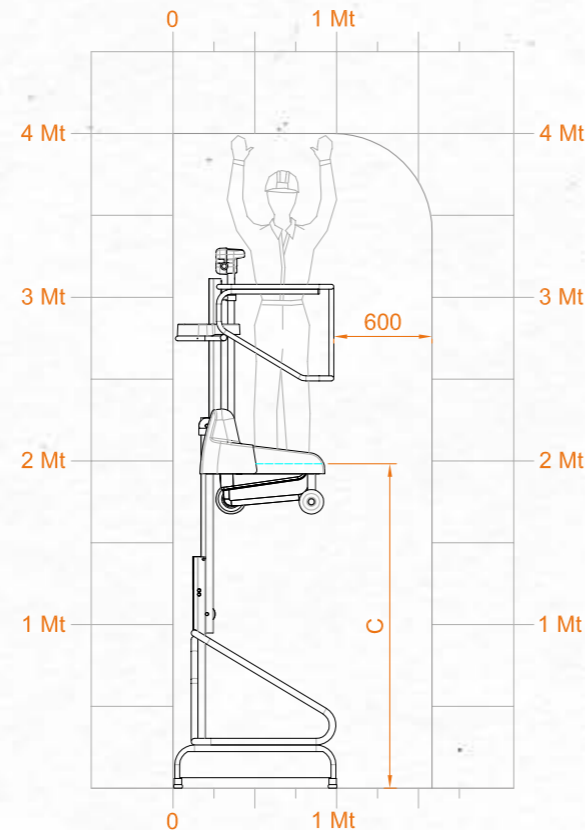
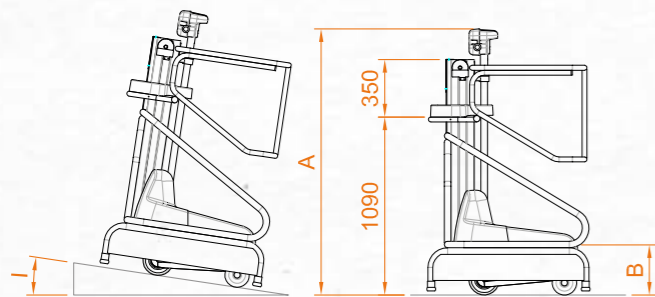
Max. working height		4,00 m
Max capacity		150 kg
Number of people		1
Use		internal
A	Closed machine height	1630 mm
B	Minimum platform height	310 mm
C	Maximum platform height	1960 mm
D/E	Base overall dimensions	995 x 740 mm
F/G	Cage dimensions	690 x 740 mm
Machine weight		162 kg
Drive steering wheels dimensions		Ø 190 x 60
Swivel wheels dimensions (fixed)		Ø 150 x 45



PERFORMANCE

Power supply		electrical
Batteries		2 AGM 12V 33 Ah*
Battery charger		110V - 220V
H	Maximum climbing ability	15%
Internal turning radius		0
External turning radius		800 mm
Max. speed (rising – descending)		0,10 - 0,16 m/s
Velocità massima di traslazione		1,3 m/s
Work cycles ** (with fresh batteries)		Ca. 100

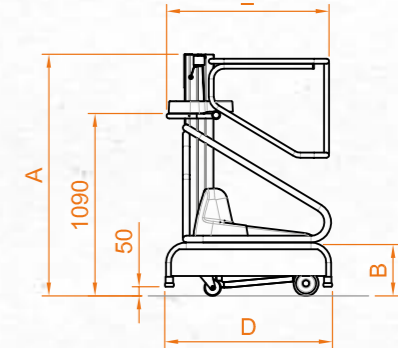
* OPTIONAL: 40BGM
 ** By work cycle we mean a self-propelled movement of 20 m with a full ascent to and descent from the maximum height.



ELEVAH[®] 40B

TECHNICAL DATA

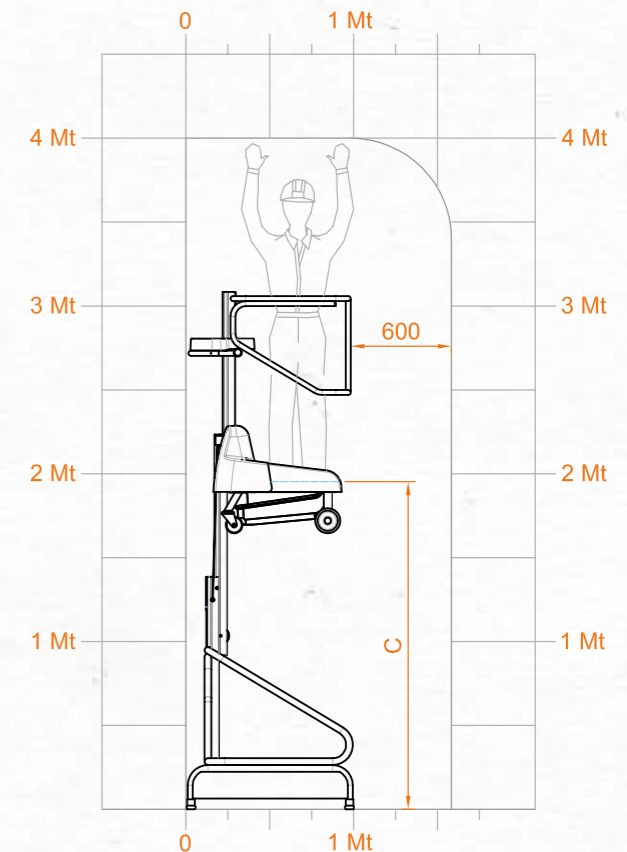
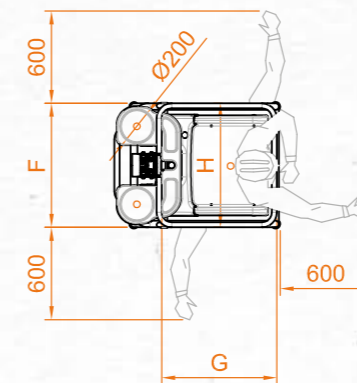
Max. working height		4,00 m
Max capacity		150 kg
Number of people		1
Use		internal
A	Closed machine height	1445 mm
B	Minimum platform height	310 mm
C	Maximum platform height	1940 mm
D/E/F	Base overall dimensions	995 x 740 mm
F/G	Cage dimensions	690 x 740 mm
Machine weight		152 kg
Drive steering wheels dimensions		Ø 100 x 30
Swivel wheels dimensions (fixed)		Ø 150 x 45



PERFORMANCE

Power supply		electrical
Batteries		2 AGM 12V 35 Ah*
Battery charger		110V - 220V
Internal turning radius		0
External turning radius		1100 mm
Max. speed (rising – descending)		0,10 - 0,16 m/s
Work cycles ** (with fresh batteries)		Ca. 125

* OPTIONAL: 40BGM
 ** By work cycle we mean a self-propelled movement of 20 m with a full ascent to and descent from the maximum height.



ELEVAH[®] 80ES and 65ES MOVE

These aerial platforms are compact, sturdy as well as reliable, allow to make maintenance activities at height up to 7,75m and 6,5m.



80ES M 65ES M

110 kg 1090 kg 200 kg

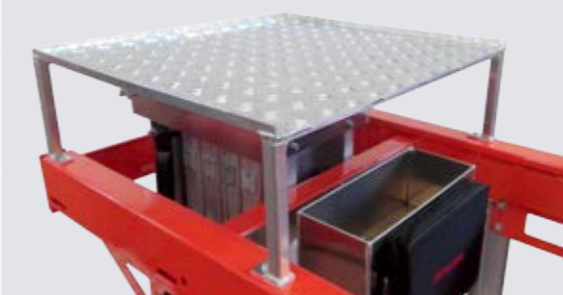
COLUMNS AND CAGE ARE OF ALUMINIUM



NEW BASKET
Renewed basket to grant more comfort, stability and safety.



SOME ACCESSORIES AND CUSTOMISATION



AP: additional storageplatform.

OTHER ACCESSORIES AND COSTUMISATION ON P.46



- Automatic cage locking.
- Anti-tilting device.
- Electronic slope monitoring.
- Electronic braking system.
- Overload monitoring
- Emergency hydraulic lowering.

EXTENSIBLE SELF PROPELLED PLATFORMS ELEVAH 80ES and 65ES MOVE

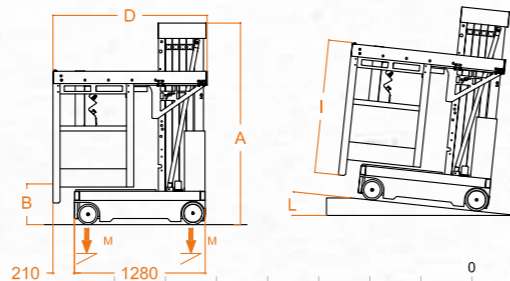
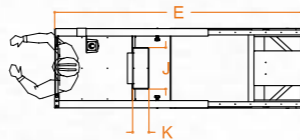
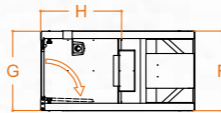
EXTENSIBLE SELF PROPELLED PLATFORMS ELEVAH 80ES and 65ES MOVE



ELEVAH® 80ES MOVE

TECHNICAL DATA

Max. working height		7,75 m
Max capacity		200 kg
Number of people		1
Use		internal
A	Closed machine height	1990 mm
B	Minimum platform height	400 mm
C	Maximum platform height (with extension-without extension)	5000 - 5560 mm
D/F	Base overall dimensions (stowed)	1510 x 780 mm
E/F	Base overall dimensions (with extension)	2430 x 780 mm
G/H	Cage dimensions	776 x 790 mm
G/I	Dimensioni interne cestello (with extension)	776 x 1300 mm
J/K	Storage tray	400 x 150 mm
Capacity of storage tray		20 kg
Machine weight		1110 kg
Drive wheels dimension		Ø 220 x 65
Swivel wheels dimensions		Ø 200 x 50

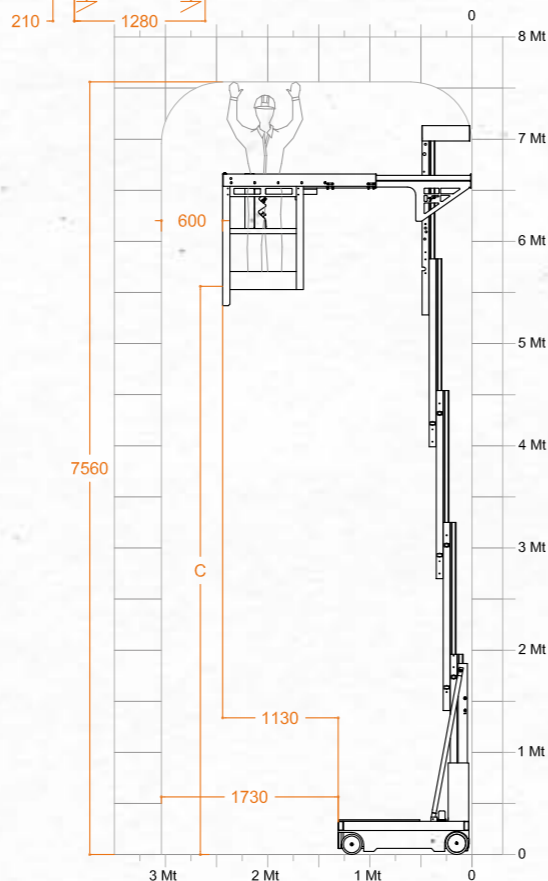


PERFORMANCE

Power supply		electrical
Batteries		2 Pb Acido 12V 105Ah
Battery charger		110V - 220V
Climbing ability at height		2,5%
L	Maximum climbing ability	15%
Internal turning radius		0
External turning radius		1540 mm
Max. speed (rising - descending)		0,20 m/s
Maximum shifting speed (on the ground - at height)		0,70 - 0,25 m/s
M	Maximum pressure for wheel at full load*	4,60 kN
Work cycles ** (with fresh batteries)		100

* Maximum pressure whereas the weight of the platform plus the maximum load on the basket are completely distributed on one side of the platform (totally asymmetric load).

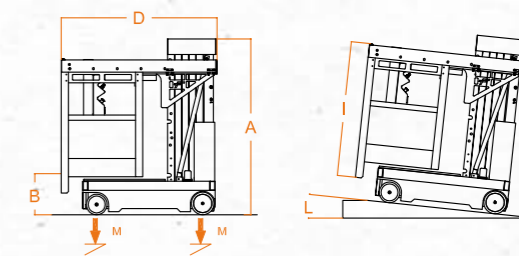
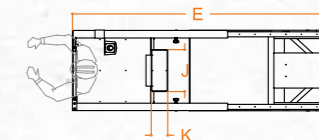
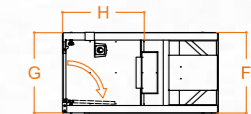
** By work cycle we mean a self-propelled movement of 20 m with a full ascent to and descent from the maximum height and with adjustment of the loading platform.



ELEVAH® 65ES MOVE

TECHNICAL DATA

Max. working height		6,85 m
Max capacity		200 kg
Number of people		1
Use		internal
A	Closed machine height	1720 mm
B	Minimum platform height	400 mm
C	Maximum platform height (with extension-without extension)	4200 - 4680 mm
D/F	Base overall dimensions (stowed)	1510x780 mm
E/F	Base overall dimensions (with extension)	2430x780 mm
G/H	Cage dimensions	776x790 mm
G/I	Cage dimensions (con estensione)	776 x 1300 mm
J/K	Storage tray	400 x 150 mm
Capacity of storage tray		20 kg
Machine weight		1090 kg
Drive wheels dimension		Ø 220 x 65
Swivel wheels dimensions		Ø 200 x 50

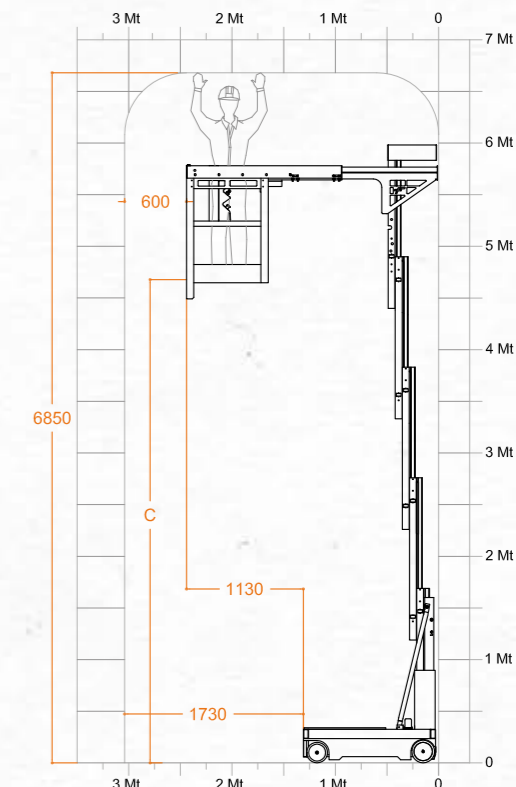


PERFORMANCE

Power supply		electrical
Batterie		2 Pb Acido 12V 105Ah
Battery charger		110V - 220V
Climbing ability at height		2,5%
L	Maximum climbing ability	15%
Internal turning radius		0
External turning radius		1540 mm
Max. speed (rising - descending)		0,20 m/s
Maximum shifting speed (on the ground - at height)		0,70 - 0,25 m/s
M	Maximum pressure for wheel at full load*	4,52 kN
Work cycles ** (with fresh batteries)		100

* Maximum pressure whereas the weight of the platform plus the maximum load on the basket are completely distributed on one side of the platform (totally asymmetric load).

** By work cycle we mean a self-propelled movement of 20 m with a full ascent to and descent from the maximum height and with adjustment of the loading platform.



ELEVAH[®] 70

ELEVAH 70



The Elevah 70 is the aerial platform equipped with a big basket, which has a capacity of 200 kg. It reaches 7 m working height.

Safety is ensured during any type of work at height (maintenance, inspection, assembly, etc ...)



The emovable control allows the platform to be raised from the ground.

SOME ACCESSORIES AND CUSTOMISATION



AT 10.1: Power Batteries 12V wit Power connection to the Tractor.

OTHER ACCESSORIES AND COSTUMISATION ON P. 46

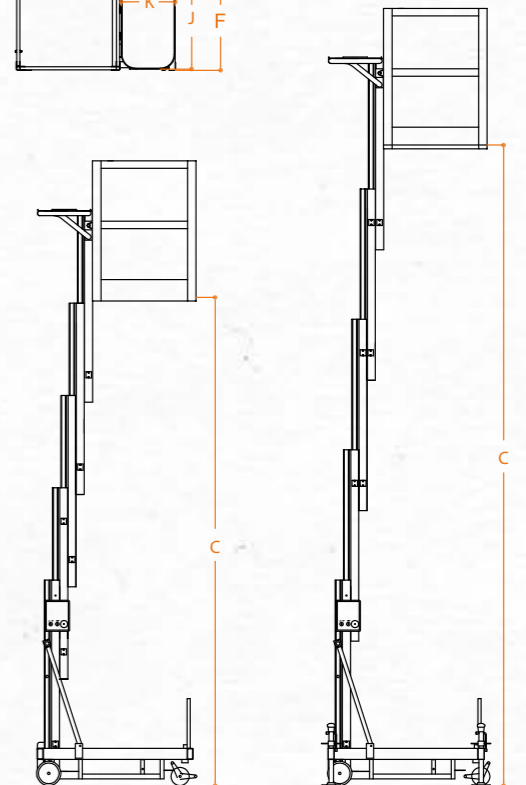
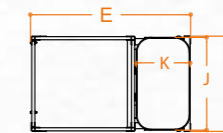
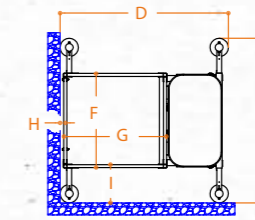


By using stabilizers and positioning the cage 70 cm above ground level, a working height of 7 m can be reached.

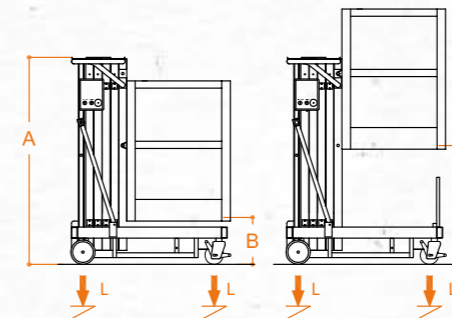


TECHNICAL DATA

	Without Stabilizers	With Stabilizers
Max. working height	6 m	7,25 m
Max capacity	200 kg	
Number of people	1	
Use	internal	
A Closed machine height	1700 mm	
B Minimum platform height	380 mm	
C Maximum platform height	4000 mm	5250* mm
D/E Base overall dimensions	1320x780 mm	1380x1350 mm
F/G Cage dimensions	780x850 mm	
H/I Max. distance from the wall	0 mm	40 x 300 mm
J/K Fixed picking tray dimensions	760 x 440 mm	
Fixed platform capacity	20 kg	
Machine weight (with stabilisers) (power supply 220V 50/60Hz)	398 kg	
Drive wheels dimension	Ø 200 x 50	
Swivel wheels dimensions	Ø 150 x 45	
Max. speed (rising – descending)	0,20 - 0,15 m/s	
L Maximum pressure for wheel at full load**	2,0 kN	2,10 kN
Work cycles*** (with fresh batteries)	Ca. 200	-
POWER SUPPLY	Option 1	Option 2
Batteries	2 Pb Acido - 12 V 105 Ah	220V 50/60Hz
Battery charger	110V - 220V	-



- * Max H. reached with cage at height - C -
- ** Maximum pressure whereas the weight of the platform plus the maximum load on the basket are completely distributed on one side of the platform (totally asymmetric load).
- *** By work cycle we mean a self-propelled movement of 20 m with a full ascent to and descent from the maximum height



PUSH AROUND MACHINE

PUSH AROUND MACHINE



ELEVAH® 61



4,08 m



ELEVAH® 61 is a fast, safe and economical alternative to traditional scaffolding.



It can be easily moved (maximum thrust required: 5kg)



It can be used without stabilizers up to a working height of 3,9 m.

Suitable for every situation.

SOME ACCESSORIES AND CUSTOMISATION



AT 10.1: Power Batteries 12V with Power connection to the Tractor.

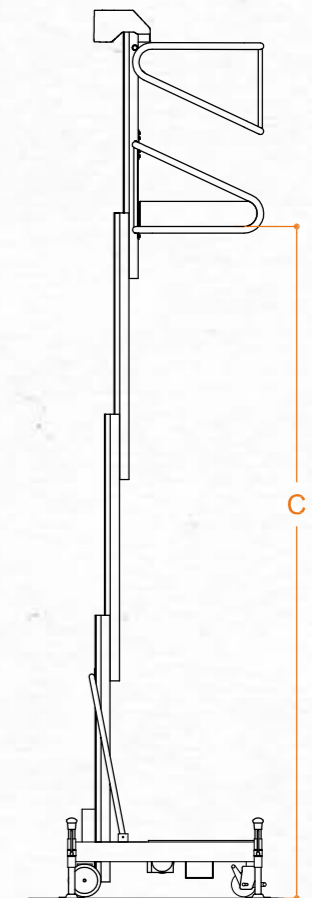
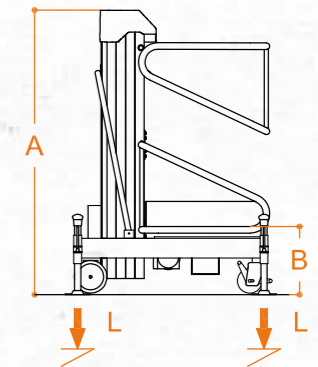
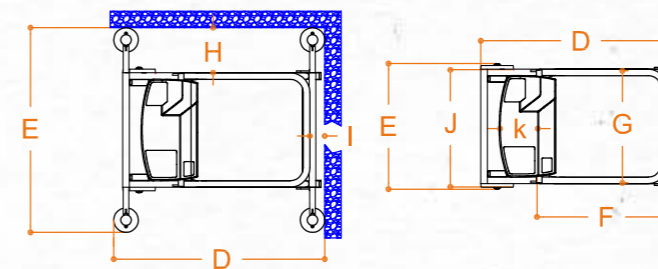
OTHER ACCESSORIES AND CUSTOMISATION P. 46



TECHNICAL DATA

		Without Stabilizers	With Stabilizers	
Max. working height		3,9 m	6,1 m	
Max capacity		200 kg		
Numero di persone		1		
Use		internal	external	
A	Closed machine height	1730 mm		
B	Minimum platform height	400 mm		
C	Maximum platform height	1895 mm	4085 mm	
D/E	Base overall dimensions	1187x770 mm	1297x1252 mm	
F/G	Cage dimensions	760x700 mm		
H/I	Max. distance from the wall	0 mm	275x30 mm	
J/K	Storage tray	620x230 mm		
Capacity of storage tray		20 kg		
Machine weight		219 kg	237 kg	345 kg
Drive wheels dimension		Ø 200 x 50		
Swivel wheels dimensions		Ø 150 x 45		
Batteries		2 AGM - 12 V 45 Ah		
Battery charger		110V - 220V		
Max. speed (rising - descending)		0,16 - 0,21 m/s		
Manual force to move it (at the start - in motion)		7 - 3 kg		
L	Maximum pressure for wheel at full load*	1,47 kN	-	-
	Maximum pressure for stabilizer at full load*	-	1,53 kN	2,2 kN
Work cycles** (with fresh batteries)		Ca. 200		

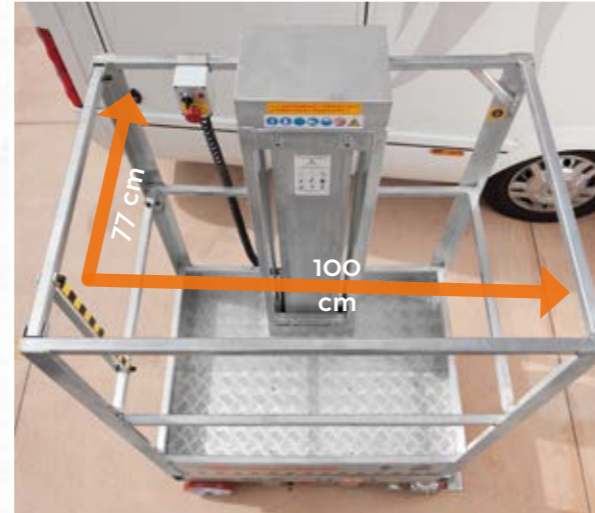
* Maximum pressure whereas the weight of the platform plus the maximum load on the basket are completely distributed on one side of the platform (totally asymmetric load).
 ** It refers to the version with batteries. By work cycle we mean a self-propelled movement of 20 m with a full ascent to and descent from the maximum height.



ELEVAH® 50F



A roomy platform which is easy to manoeuvre (max thrust required: 5 kg), which enables working at heights of up to 5 m.



ULTRACOMPACT

The basket is in the shape of the base cage so making the most of the space.



REMOVABLE CONTROL

This allows the platform to be operated from the ground as well.

The platform rises automatically to a working height of up to 3.8 m when used without stabilizers, thanks to sensors that detect the height of the basket.



SOME ACCESSORIES AND CUSTOMISATION



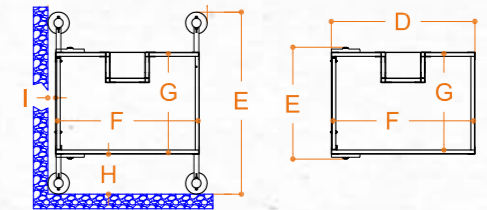
PEVA: EVA protection for the Basket.

OTHER ACCESSORIES AND CUSTOMISATION ON P. 46



TECHNICAL DATA

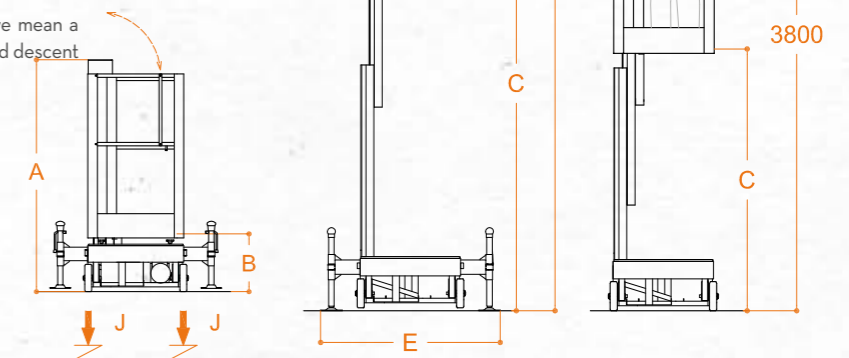
		Without Stabilizers	With Stabilizers
Max. working height		3,80 m	5,10 m
Max capacity		200 kg	
Number of people		1	
Use		internal	
A	Closed machine height	1700 mm	
B	Minimum platform height	430 mm	
C	Maximum platform height	1800 mm	3100 mm
D/E	Base overall dimensions	1000x770 mm	1110x1250 mm
F/G	Cage dimensions	1000x700 mm	
H/I	Max. distance from the wall	0 mm	275x60 mm
Machine weight		240 kg	
Drive wheels dimension		Ø 200 x 50	
Swivel wheels dimensions		Ø 150 x 45	
Velocità massima (salita - discesa)		0,15 m/s	
Manual force to move it (at the start - in motion)		7 - 3 kg	
J	Maximum pressure for wheel at full load*	1,48 kN	-
	Maximum pressure for stabilizer at full load*	-	1,54 kN
Work cycles** (con batterie cariche)		Ca. 300	-



POWER SUPPLY	Option 1	Option 2
Batterie	2 Pb Acido - 12 V 105 Ah	220V 50/60Hz
Battery charger	110V - 220V	-

* Maximum pressure whereas the weight of the platform plus the maximum load on the basket are completely distributed on one side of the platform (totally asymmetric load).

** It refers to the version with batteries. By work cycle we mean a self-propelled movement of 20 m with a full ascent to and descent from the maximum height.



ELEVAH® 400XL



An assembly platform for 2 operators with a 220 V power supply and a working height of 4 m. CUSTOMIZATION based on the customers' needs.



ALCUNI ACCESSORI E PERSONALIZZAZIONI



- (1) Faro d'illuminazione con braccio orientabile.
- (2) Presa d'aria compressa.
- (3) Presa 220 volt sul cestello.
- (4) Vaschetta porta oggetti.

OTHER ACCESSORIES AND CUSTOMISATION ON P. 46

MAXIMUM ACCESSIBILITY
Dual access is available on request.



SAFETY AND CONTROL

Comprehensive and simple to use console. Roll over protection structure (cod. 400PR).



TECHNICAL DATA

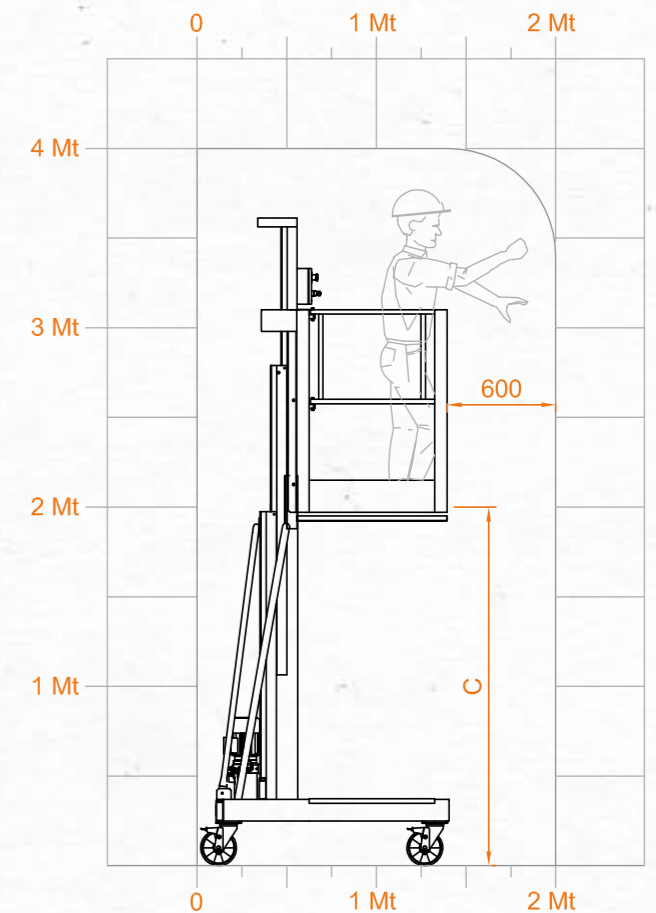
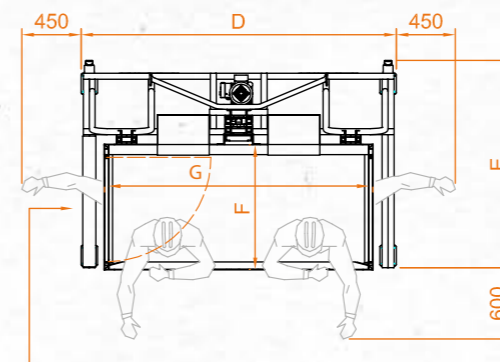
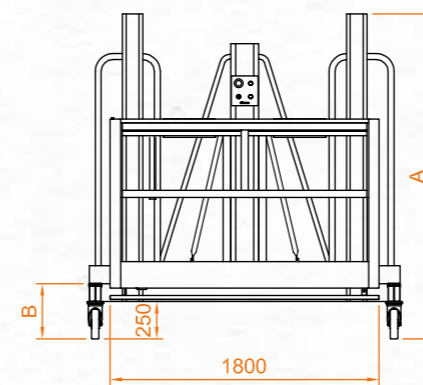
Max. working height	4,00 m	
Max capacity	200 kg	
Number of people	2	
Use	internal	
A	Closed machine height	2200 mm
B	Minimum platform height	370 mm
C	Maximum platform height	2000 mm
D/E	Base overall dimensions	2110x1400 mm
F/G	Cage dimensions	840x1800mm
Machine weight	400 kg	



PERFORMANCE

Power supply	electrical
Maximum pressure for wheel at full load*	Ca. 2,1 kN

* Maximum pressure whereas the weight of the platform plus the maximum load on the basket are completely distributed on one side of the platform (totally asymmetric load).



Complies with EN 280 and is approved for internal use in the absence of wind.



Possibility of
homologation for
EXIT WITH
PLATFORM AT
HEIGHT

Costumize your ELEVVAH® on www.elevah.com

BKIT

BATTERY KIT TO WORK 24H

2 interchangeable Boxes complete with Battery charge (The cart is not included).



514 KIT

KIT WITH 4 BATTERIES.

To double machine's autonomy.



BG

GEL OR AGM BATTERIES.

Maintenancefree to be used in sensitive environments.



AC

220VOLT POWER SUPPLY.

As option for the push-around machines.



KEY

MACHINE START-UP WITH CODE.

Useful to use machines in crowded environments; prevent start-up by inexperienced people.



ACCESSORIES AND CUSTOMISATION ELEVVAH®

Each model can be customized based on your own needs.
On the website www.elevah.com you can see the available accessories for each model and you can configure your platform.

CUSTOMIZE YOUR ELEVAH®

CA

PORTABLE CONTROL PANEL.

With 1,5M cable is useful to load the machine on the ramp remaining at ground. Compatible with picking machines JUST if they are certificate as Aerial platforms (See code PICK.PLE).



CR

JOYSTICK CONTROL PANEL ADJUSTABLE IN HEIGHT.



RL

SIDE ROLLERS.

Usefull to work along narrow racks, indicated for all self-propelled machines.



PICK.PLE

CERTIFICATION OF THE MACHINE FOLLOWING AERIAL PLATFORM NORMS.

Mechanical lock of the basket, rear protection of the platform, selection of the Lift or Move mode, less ground clearance to respect antitilting norm, reduction of the working speed (equal to the analogous model of aerial platform).



Costumize your ELEVAH® on www.elevah.com

PR

ADJUSTABLE BANKS FOR PICKING PLATFORM.



PA

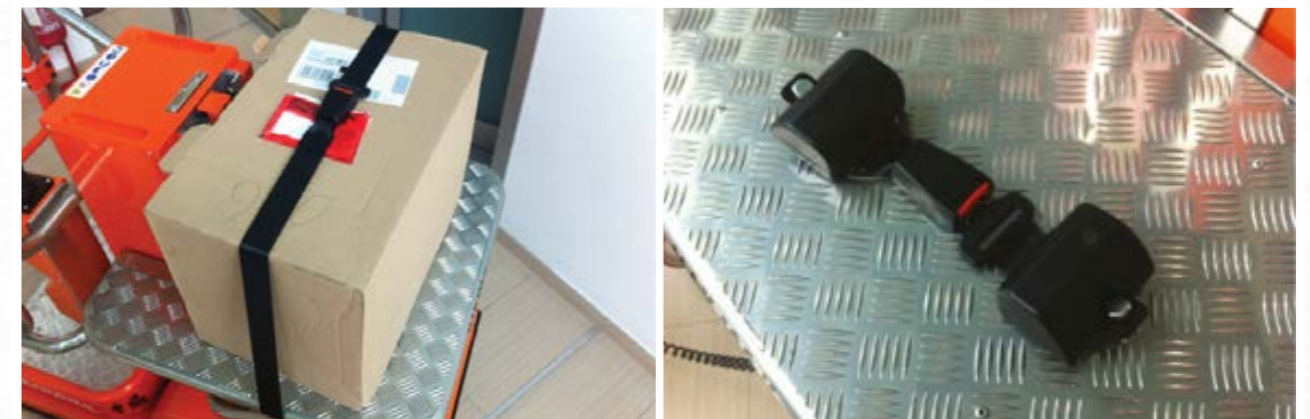
REMOVABLE PICKING PLATFORM.



C

BELT WITH WINDER TO BLOCK THE GOODS DURING PICKING ACTIVITIES.

Useful to hold the goods on the picking platform.



CUSTOMIZE YOUR ELEVAH®

PMES

EXTRALONG EXTENSIBLE PICKING PLATFORM.

Starting from the standard dimensions of the machine, is possible to extend the picking platform for 20 additional cm.



PMF

EXTRALONG FIXED PICKING PLATFORM (+20 CM)



40 PCEST

REAR PROTECTION OF THE PLATFORM.



40 ORE

HOUR COUNTER.



40 LAMP

FLASHING WARNING.

Combined with the acoustic signal, it works both during lifting and translation.



Costumize your ELEVAH® on www.elevah.com

40 CR

ADDITIONAL LIFTING CONTROL.

Portable control able to lift the machine remaining at ground. Indispensable for the use of **cod. 40 CAR1**.



40 CAR1

ELEVAH 40 PATENTED LOADING SYSTEM FOR LORRIES (CM 110).

Max loading height: 110cm
To be use together with the additional control (**cod. 40 CR**).



40 CAR

PATENTED LOADING SYSTEM FOR VANS (CM 60).



CL

WOODEN CRATE FOR SHIPPING



CUSTOMIZE YOUR ELEVAH®

SRC

LOADING SYSTEM FOR RAMPS.
Allows the platform to be li ed so as to
allow the machine to be loaded with other ramps.



COV

RESISTANT TARPAULIN.
Useful to store the machine.



IP65

IP65 CERTIFICATION.



PS

STABILIZER HOLDER.
Useful to store the stabilizers properly when
not used.



ZA

BALLAST FOR SLIPPERY FLOORS.
The 100 kg ballast guarantees good traction if
the self-propelled machine is used in wet
environments or on very smooth floors.



Costumize your ELEVAH® on www.elevah.com

PEVA

EVA PROTECTION FOR THE BASKET.



AT 10

TRACTOR COUPLING KIT.



AT 10.1

POWER BATTERIES 12V WITH POWER CONNECTION TO THE TRACTOR.
In addition to **AT 10.**



CUSTOMIZE YOUR ELEVAH®

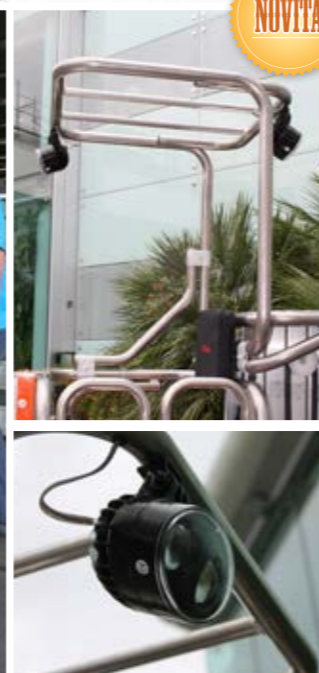
BLUE SPOT

FRONTAL BLUE SPOT LIGHT WITH TOP PROTECTION FOR THE DRIVER.



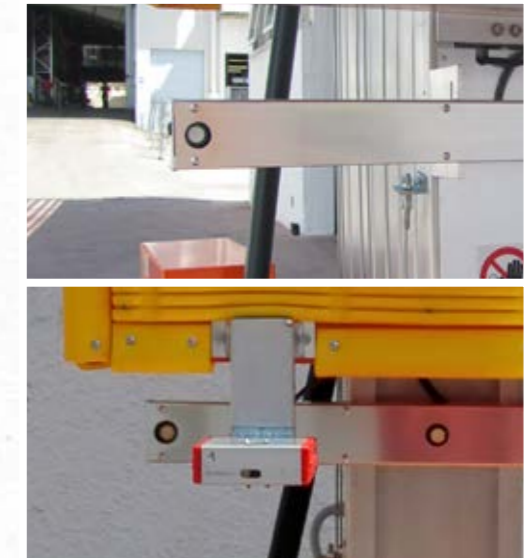
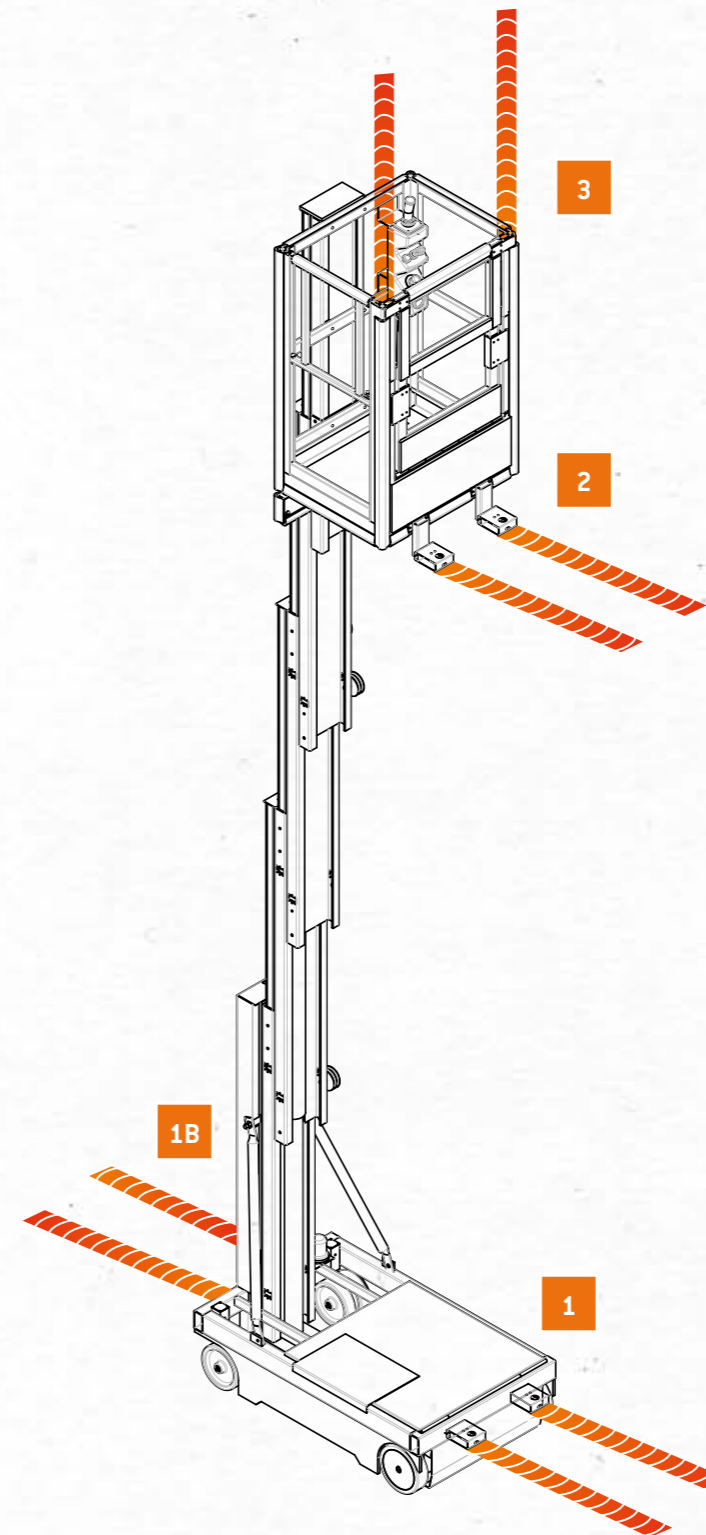
BLUE SPOT 1

ADDITIONAL REAR BLUE SPOT LIGHT.
In addition to **BLUE SPOT**.



Costumize your ELEVAH® on www.elevah.com

ANTI-COLLISION RADAR PROTECTION SYSTEMS



RADAR1

FRONTAL ANTI-COLLISION RADAR SYSTEM FOR THE CHASSIS.

positioned on the front side of the chassis, avoid the frontal collision stopping the machine 10cm before the obstacle.

RADAR1B

REAR ANTI-COLLISION RADAR SYSTEM FOR THE CHASSIS.

Positioned on the frontal side of the basket, avoid the collision during lifting.

RADAR2

FRONTAL ANTI-COLLISION RADAR SYSTEM FOR THE BASKET.

Posto sulla parte frontale del cestello, evita la collisione in elevazione.

RADAR3

ANTI-COLLISION RADAR SYSTEM TO THE TOP (DRIVER'S HEAD PROTECTION)

Positioned on the frontal side of the basket, avoid the collision during lifting.

ELEVAH[®] SPECIALE CANTINE

AUTOMATIC LIFTING PLATFORMS FOR WORK IN THE CELLAR TO BE CARRIED OUT SAFELY.

ELEVAH SPECIAL CELLARS



In position with only a few safe automatic manoeuvres.

- Max barriques positioning 7 mt.
- Barriques capacity 100 kg.
- Operator capacity 100 kg



works in just 120 cm

ELEVAH SPECIAL CELLARS



COMPACT SEMI-AUTOMATIC PLATFORM IDEAL FOR SMALL SPACES. EXCELLENT VALUE FOR MONEY.



Sollevatutto HW range: low-cost, practical and versatile, easy to move. Manual extraction in a few simple steps.

ELEVAH[®] Agri

CONNECTION KIT TO THE TRACTOR FOR AERIAL PLATFORMS ENTIRELY MADE OF ALUMINIUM.

ELEVAH AGRI



MAX KG
200

MAX WORKING
HEIGHT
14 MT



The four outriggers allow to use the platform on not flat surfaces.



Powered by independent battery, or powered by 12V supply to the tractor.



Comfortable and safe climb.

ACCESSORIES AND CUSTOMISATION



AT 10.1: Power Batteries 12V wit Power connection to the Tractor.

OTHER ACCESSORIES AND CUSTOMISATION ON P. 46

THE KIT CAN BE APPLIED ON THE FOLLOWING ELEVAH[®] PLATFORMS:

ELEVAH 61



ELEVAH 70



ZP 150



ZP 200



* it depends on the model

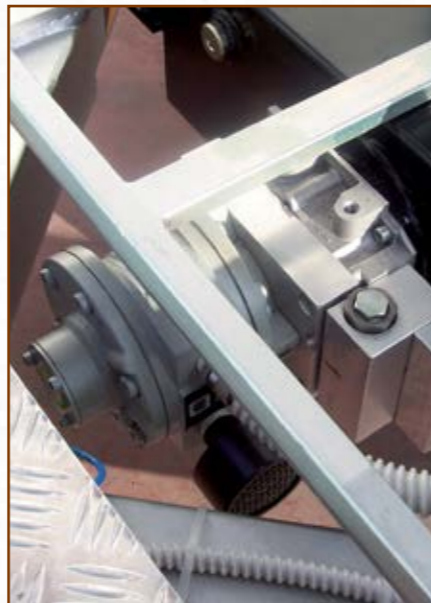
ELEVAH AGRI

ELEVAH® ATEX

SELF PROPELLING ATEX CERTIFIED PLATFORM



- POWERED BY COMPRESSED AIR
- SELF-PROPELLED WHEN STOWED



PKS 65 TIRES SPECIAL

A SPECIAL MACHINE WITH A DOUBLE TOOL ABLE TO LIFT A TIRE SET FROM THE GROUND AND TO STORE OR PICK IT UP



MAX. WORKING HEIGHT: 7,70 M



FLEXIONE type tyre tilting system



EASILY TRANSPORTABLE AERIAL PLATFORMS



The Faraone Aerial Platforms are all Super compact.

With the specific stabiliser kit an Aerial Platform is always ready and towed by a vehicle



TRANSPORTING FARAONE PLATFORMS? NOTHING IS EASIER THAN THAT.



Over 10 metres high and you transport it in a normal truck with a high roof.



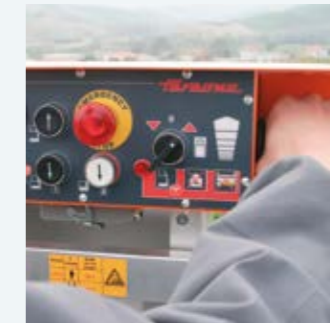
By a small pick-up you can move more than 14 m Aerial Platforms.



Aerial Platform PKS880, over 8 metres high, is easily transportable in a van with a low roof.



THE GUIDE IS VERY PRACTICAL AND CONVENIENT



The best you could wish for. Gentle and gradual traction guaranteed by two self-braking drive wheels (with an inactive accelerator) with electric motors managed by a Mosfet PCB. Forget sudden movements, get used to gentleness.

SAFE AND COMFORTABLE SELF-PROPELLED MOVEMENT, ON THE GROUND AND AT A HEIGHT.

At a height, the special "skirts" prevent tipping over if a wheel enters a hole. An Electronic Level checks the verticality of the machine and emits an alarm to alert the operator of the risk of tipping over.



Conforms to Ministerial Circular No. 29 of 14 July 2005

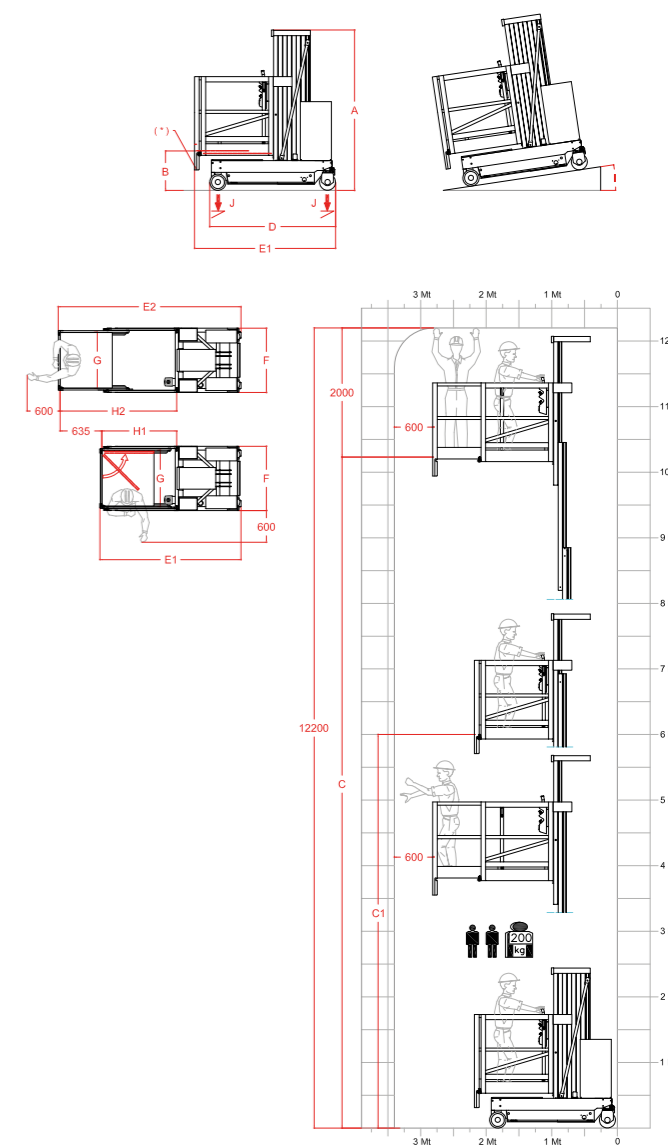
mod. **PKS 1200**

self-propelled movement at a maximum height of 12 m.
Approved for outdoor use with 2 operators and max capacity of 200 kg.



Technical data

Max capacity	200 kg	
Number of people	2	
Use	external	
A	Closed machine height	2450 mm
B	Min. height from the ground to the platform level	600 mm*
C	Max. height from the ground to the platform level	10200 mm
D	Base overall dimensions	1920 mm
E1		2150 mm
E2		2785 mm
F		980 mm
G	Cage dimensions	980 mm
H1		1200 mm
H2		1835 mm
Machine weight	2180 kg**	
Power supply	24 V	
N° 2 12V Acid Batteries	130 Ah	
Battery charger	110V - 220 V	
Climbing ability at height	1'-1,7%	
I	Max. climbing ability	15%
Drive wheels dimensions	Ø 240 x 100	
Swivel wheels dimensions	Ø 250 x 100	
Turning radius	1990 mm	
Max. rising speed	0,3 m/s	
Max. descending speed	0,2 m/s	
Max. shifting speed	1,25 m/s	
Max. shifting speed at height	0,12 m/s	
C1	Max. height of self-movement at a height with the extensible basket closed	6000 mm
J	Max. pressure for wheel at full load	8,4 kN***



* THERE IS AN INTERMEDIATE STEP
** INCLUSIVE OF EXTENSIBLE PICKER
*** MAXIMUM PRESSURE WHEREAS THE WEIGHT OF THE PLATFORM PLUS THE MAXIMUM LOAD ON THE BASKET ARE COMPLETELY DISTRIBUTED ON ONE SIDE OF THE PLATFORM (TOTALLY ASYMMETRIC LOAD)

Self-propelled movement at a maximum height of 9.2 m. Approved for outdoor use with 2 operators and max capacity of 200 kg.



PKS 920
SUPER COMPACT
PLATFORM:
CLOSED H. 187 CM

160 cm

VRS

VRS is a system of 12 adjustable wheels, which allows perfect sliding and no "clearance", thereby guaranteeing maximum stability.

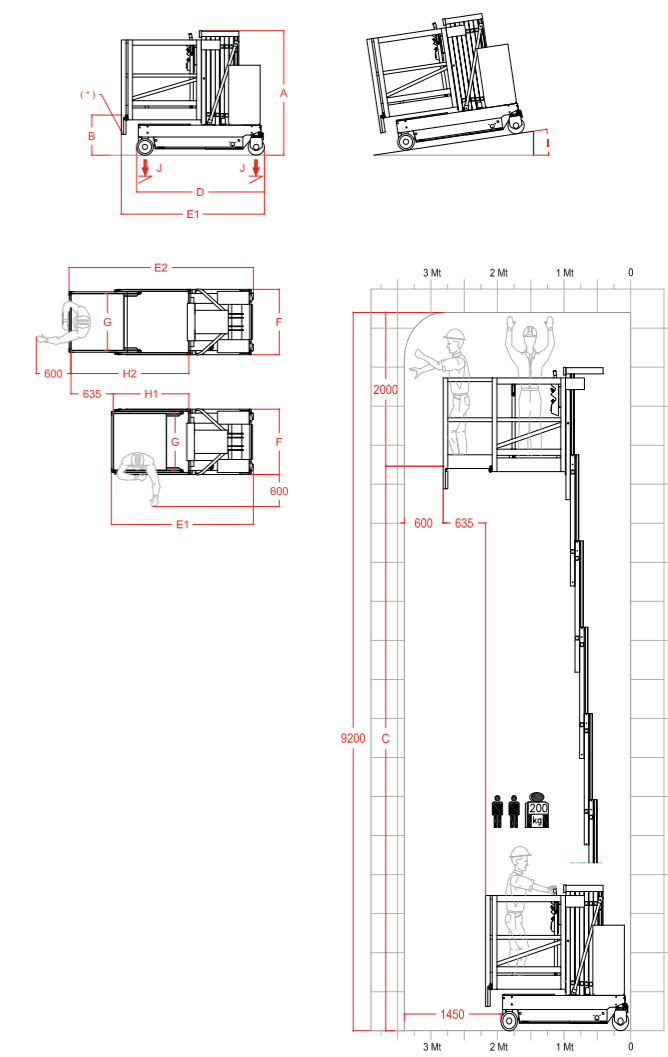


OPTIONAL
livellamento
levelling.

max
20 cm

Technical data

Max capacity	200 kg	
Number of people	2	
Use	external	
A	Closed machine height	1890 mm
B	Min. height from the ground to the platform level	600 mm*
C	Max. height from the ground to the platform level	7200 mm*
D	Base overall dimensions	1920 mm
E1		2150 mm
E2		2785 mm
F		980 mm
G	Cage dimensions	980 mm
H1		1200 mm
H2		1835 mm
Machine weight	1970 kg**	
Power supply	24 V	
N° 2 12V Acid Batteries	130 Ah	
Battery charger	110V - 220V	
Climbing ability at height	1,5% - 2,6%	
I	Max. climbing ability	15%
Drive wheels dimensions	Ø 240 x 100	
Swivel wheels dimensions	Ø 250 x 100	
Turning radius	1990 mm	
Max. rising speed	0,3 m/s	
Max. descending speed	0,22 m/s	
Max. shifting speed	1,33 m/s	
Max. shifting speed at height	0,27 m/s	
C1	Max. height of self-movement at a height with the extensible basket closed	7200 mm
J	Max. pressure for wheel at full load	7,6 kN



* THERE IS AN INTERMEDIATE STEP
** INCLUSIVE OF EXTENSIBLE PICKER
** MAXIMUM PRESSURE WHEREAS THE WEIGHT OF THE PLATFORM PLUS THE MAXIMUM LOAD ON THE BASKET ARE COMPLETELY DISTRIBUTED ON ONE SIDE OF THE PLATFORM (TOTALLY ASYMMETRIC LOAD)

mod. **ZP 150**



Self-propelled manual movement at a maximum height of 16 m.

ZP 150
PIATTAFORMA WITH
MANUAL POSITIONING
FOR ONE OPERATOR AND
FOR INDOOR AND
OUTDOOR USE



Ascend and descend with the utmost ease and safety.



4 stabilisers that allow the platform to be used in areas that are not flat



Control unit.



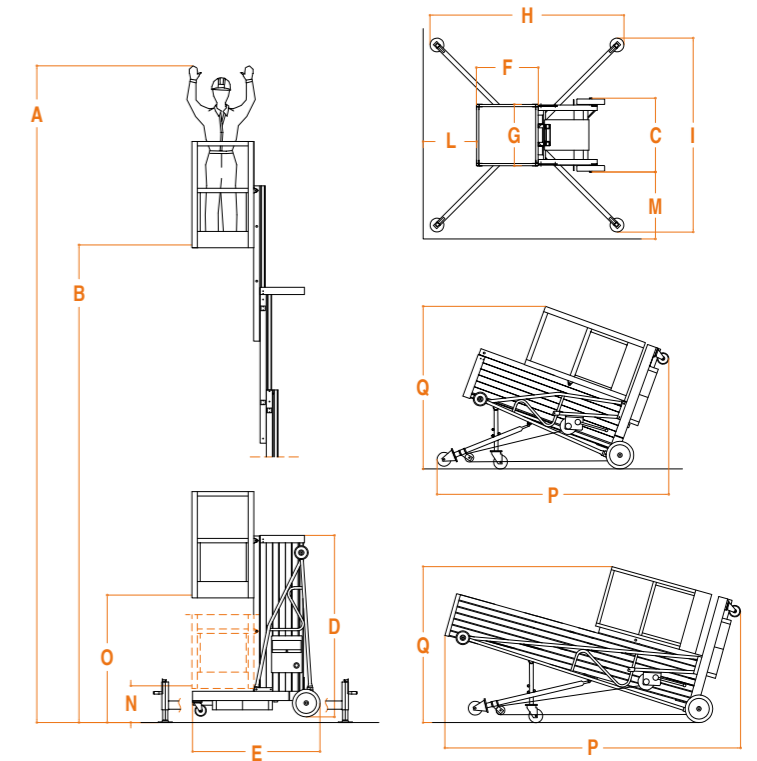
an Aerial Platform of over 14 m high, you can transport it in a small pick-up.

I - internal use
E - external use

Technical data

	ZP8 150 I	ZP8 150 E	ZP10 150 I	ZP10 150 E	ZP12 150 I	ZP12 150 E	ZP14 150 I	ZP14 150 E	ZP16 150 I	ZP16 150 E
USE	Internal	external	Internal	external	Internal	external	Internal	external	Internal	external
CAPACITY	150 kg	150 kg	150 kg	150 kg	150 kg	150 kg	150 kg	150 kg	150 kg	150 kg
PEOPLE	1	1	1	1	1	1	1	1	1	1
WEIGHT*	383 kg	395 kg	498 kg	522 kg	531 kg	559 kg	583 kg	611 kg	624 kg	692 kg
A	7,77 mt	7,77 mt	10 mt	10 mt	12 mt	12 mt	14 mt	14 mt	16 mt	16 mt
B	5,77 mt	5,77 mt	8 mt	8 mt	10 mt	10 mt	12 mt	12 mt	14 mt	14 mt
C	800 mm	800 mm	800 mm	800 mm	800 mm	800 mm	800 mm	800 mm	800 mm	800 mm
D	1980 mm	1980 mm	1980 mm	1980 mm	2600 mm	2600 mm	2980 mm	2980 mm	2980 mm	2980 mm
E	1380 mm	1380 mm	1380 mm	1380 mm	1380 mm	1380 mm	1380 mm	1380 mm	1380 mm	1380 mm
F	670 mm	670 mm	670 mm	670 mm	670 mm	670 mm	670 mm	670 mm	670 mm	670 mm
G	670 mm	670 mm	670 mm	670 mm	670 mm	670 mm	670 mm	670 mm	670 mm	670 mm
H	1360 mm	2100 mm	1360 mm	2550 mm	1720 mm	3000 mm	1720 mm	3000 mm	3000 mm	5000 mm
I	1360 mm	2100 mm	1360 mm	2550 mm	1720 mm	3000 mm	1720 mm	3000 mm	3000 mm	5000 mm
L	360 mm	730 mm	220 mm	580 mm	400 mm	810 mm	400 mm	1050 mm	1050 mm	2040 mm
M	420 mm	790 mm	420 mm	790 mm	410 mm	1010 mm	410 mm	1250 mm	1250 mm	2250 mm
N	400 mm	400 mm	400 mm	400 mm	-	-	-	-	400 mm	400 mm
O	1380 mm	1380 mm	1380 mm	1380 mm	400 mm	400 mm	400 mm	400 mm	2400 mm	2400 mm
P	2550 mm	2550 mm	2550 mm	2550 mm	3000 mm	3000 mm	3250 mm	3250 mm	3250 mm	3250 mm
Q	1800 mm	1800 mm	1800 mm	1800 mm	1700 mm	1700 mm	1700 mm	1700 mm	1700 mm	1700 mm

ATTENTION:
THE MAXIMUM HEIGHT IS REACHED BY PLACING THE BASKET IN AN ELEVATED POSITION AS SHOWN WITH VALUE "O".



ACCESSORIES (All the accessories on p.70)



- (1) AT 10**
Tractor coupling Kit.
- (2) AT 10.1**
Power Batteries 12V wit Power connection to the Tractor.

mod. **ZP 200**

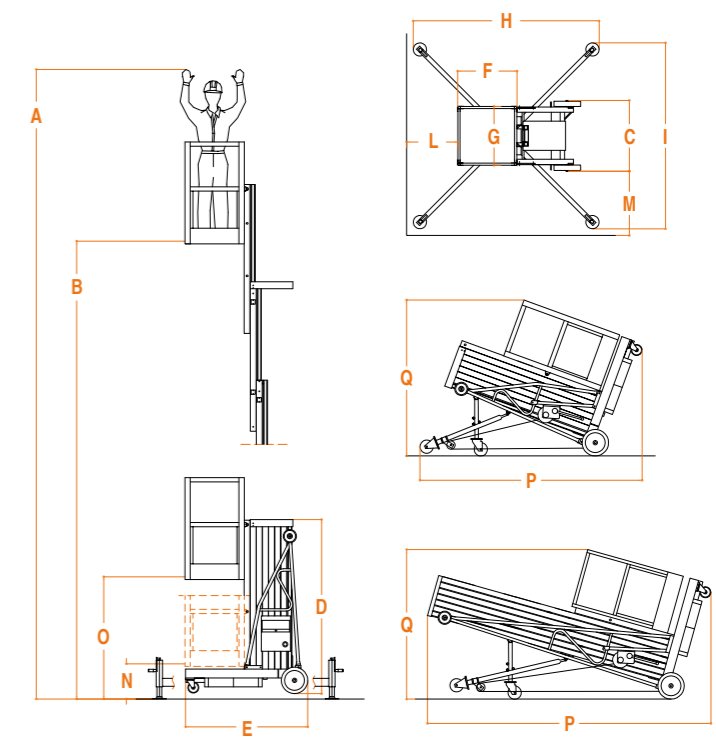
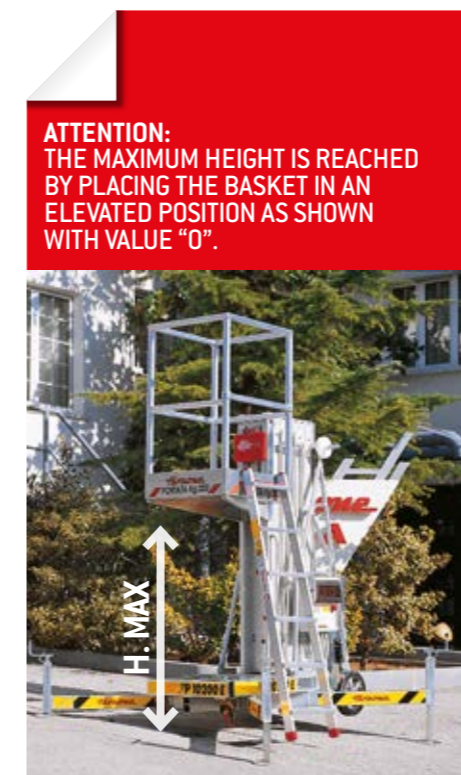
self-propelled manual movement at a maximum height of 14 m



I - internal use
E - external use

Technical data

	ZP8 200 I	ZP8 200 E	ZP10 200 I	ZP10 200 E	ZP12 200 I	ZP12 200 E	ZP14 200 I	ZP14 200 E		
USE	internal	external	internal	external	internal	external	internal	external	-	-
CAPACITY	200 kg	200 kg	200 kg	200 kg	200 kg	200 kg	200 kg	200 kg	-	-
PEOPLE	2	2	2	2	2	2	2	2	-	-
WEIGHT*	402 kg	414 kg	517 kg	541 kg	554 kg	634 kg	618 kg	686 kg	-	-
A	7,77 mt	7,77 mt	10 mt	10 mt	12 mt	12 mt	14 mt	14 mt	-	-
B	5,77 mt	5,77 mt	8 mt	10 mt	10 mt	8 mt	12 mt	12 mt	-	-
C	800 mm	800 mm	800 mm	800 mm	800 mm	800 mm	800 mm	800 mm	-	-
D	1980 mm	1980 mm	1980 mm	1980 mm	2600 mm	2600 mm	2960 mm	2960 mm	-	-
E	1380 mm	1380 mm	1380 mm	1380 mm	1380 mm	1380 mm	1380 mm	1380 mm	-	-
F	670 mm	670 mm	670 mm	670 mm	670 mm	670 mm	670 mm	670 mm	-	-
G	1060 mm	1060 mm	1060 mm	1060 mm	1060 mm	1060 mm	1060 mm	1060 mm	-	-
H	2100 mm	2550 mm	2100 mm	3000 mm	2550 mm	5000 mm	3000 mm	5000 mm	-	-
I	2100mm	2550 mm	2100 mm	3000 mm	2550 mm	5000 mm	3000 mm	5000 mm	-	-
L	540 mm	730 mm	580 mm	810 mm	810 mm	2050 mm	810 mm	2050 mm	-	-
M	410 mm	600 mm	590 mm	820 mm	820 mm	2040 mm	820 mm	2040 mm	-	-
N	400 mm	400 mm	400 mm	400 mm	-	-	-	-	-	-
O	1380 mm	1380 mm	1380 mm	1380 mm	400 mm	400 mm	400 mm	400 mm	-	-
P	2550 mm	2550 mm	2550 mm	2550 mm	3000 mm	3000 mm	3250 mm	3250 mm	-	-
Q	1800 mm	1800 mm	1800 mm	1800 mm	1700 mm	1700 mm	1700 mm	1700 mm	-	-



ACCESSORIES (All the accessories on p.70)

- (1) AT 10**
Tractor coupling Kit.
- (2) AT 10.1**
Power Batteries 12V wit Power connection to the Tractor.

mod. **ZP**

accessories



COD. CA 09

Auditorium kit



COD. PC 01

Power socket 220V 16A Schuco-type on the drum with an RCD.



COD. AC 02

Compressed air connection on the drum, 6 BAR (or water intake).



COD. DC 06

Alternative to the 220 V power supply, 24V power supply is available with gel batteries.



COD. AT 10

Tractor coupling.



COD. PS 08

Stabiliser holder.



COD. SR 05

A system that allows a single operator to manage the tipping, transport, loading and unloading phases.



mod. **SPECIAL PLATFORMS**

special platforms for special maintenance and processing.

70.42



Special double sided shaped platform

CUSTOMISED PRODUCTS GUARANTEED BY MORE THAN 30 YEARS OF EXPERIENCE



70.43



OFFERS UPON REQUEST.
T. +39.0861.77221
info@faraone.com

mod. **SPECIAL PLATFORMS**

piattaforme speciali per sbarco in quota.

OFFERS UPON REQUEST.
T. +39.0861.77221
info@faraone.com



Special platform for exit at height. For two operators. HOMOLOGATED BY THE TÜV.



NEW

Special platform for exit at height. For one operator. HOMOLOGATED BY THE TÜV.



71.47



71.44



Platform for coach maintenance.



Special platform for camper van maintenance.

71.49



Special platform manufactured for the Polish refinery Lotos.



Special platform with extendable arm for rail sector.



mod. SPECIAL PLATFORMS

special platforms for special maintenance and processing.

OFFERS UPON REQUEST.
T. +39.0861.77221
info@faraone.com



special platforms for special maintenance and processing.



71.45



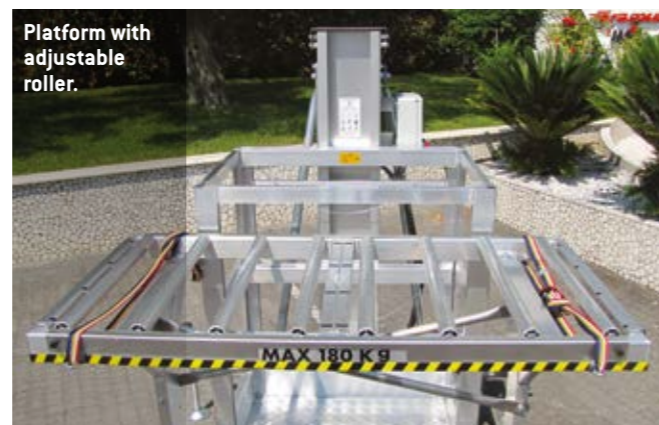
72.50



72.51



Special platform cemetery facilities.



Platform with adjustable roller.

Equipments for disabilities



CUSTOMISED PRODUCTS
GUARANTEED BY MORE
THAN 30 YEARS OF
EXPERIENCE.



73.53



EASILY TRANSPORTABLE AERIAL PLATFORMS

SPECIAL PLATFORMS

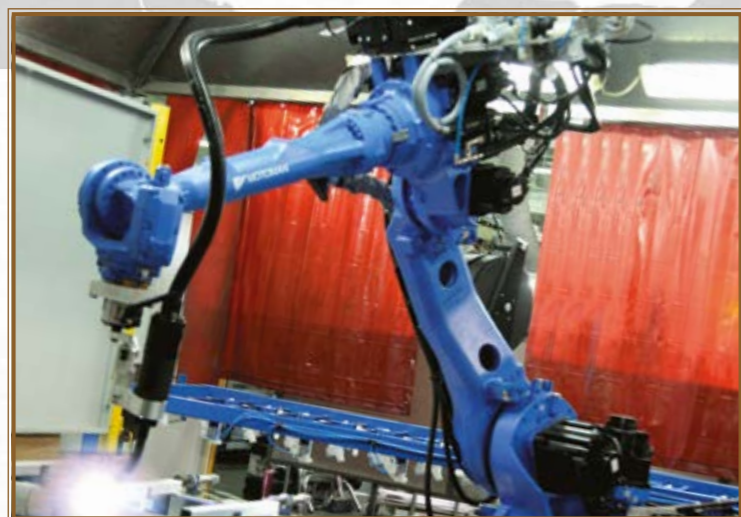
The headquarter FARAONE in Italy

The head office and main factory placed in Tortoreto - Italy



Faraone Service

THE EFFICIENCY OF YOUR MACHINE IS GUARANTEED BY FARAONE SERVICE. DISCOVER THE ASSISTANCE CLOSEST TO YOU: WWW.ELEVAH.COM



ELEVAH TOUR





FARAONE[®]
Industrie spa

Faraone Industrie SPA
C.da Salino - Via S.Giovanni, 20
64018 - Tortoreto (TE)

T. +39 0861 772221
info@faraone.com

www.faraone.com
www.elevah.com

IT.2017.01