



Performance & ease of use

- Industry leading working envelope with an outreach of 12.2 m
- Best lifting speed of 48 sec.
- Fully proportional and simultaneous movements
- Ease of transport

Excellent robustness

- Rugged hoods with ergonomic handle
- Long lasting structural design

Maximized total cost of ownership

- Haulotte Activ'Screen (on board diagnostic)
- Haulotte Stop Emission System : automatically turns on / off the engine
- Exclusive modular basket with upper control box cover and tool tray
- Easy access to all components

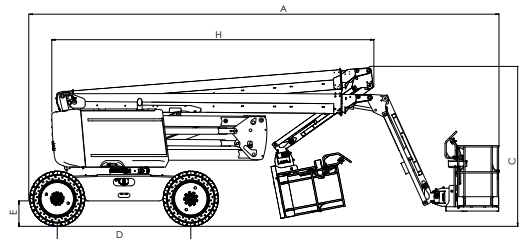
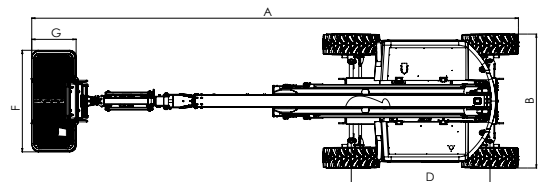
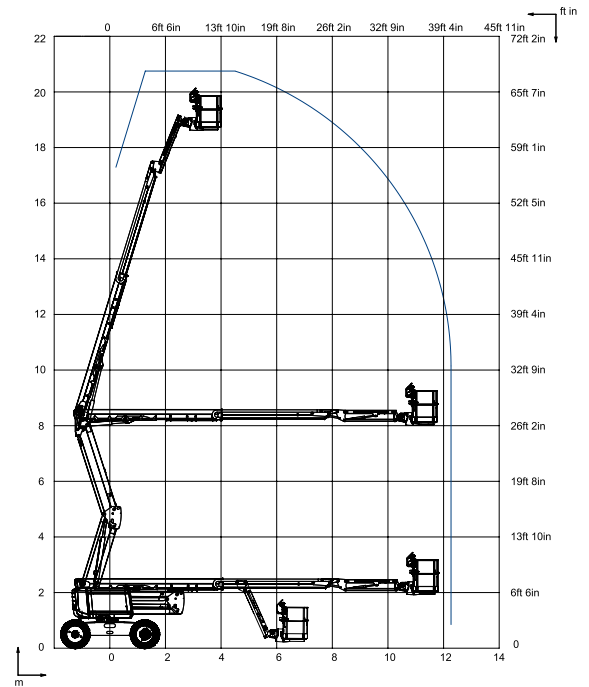
HA20 RTJ

ROUGH TERRAIN ARTICULATING BOOMS

TECHNICAL DATA

HA20 RTJ

Working height	20.6 m
Platform height	18.6 m
Horizontal outreach	12.2 m
Up and over clearance	8.4 m
Lift capacity	230 kg
F x G Platform size	1.83 x 0.8 m
A Length - stowed	8.8 m
B Width	2.42 m
Height - stowed	2.51 m
H Vertical jib rotation	140° (+60°/-80°)
C Platform rotation	180° (+90°/-90°)
Turntable rotation	355° non continuous
Tailswing	14.2 cm
Wheelbase	2.45 m
Ground clearance	38 cm
D Tilt	5°
E Drive speed	0.8 - 5 km/h
Gradeability	45 %
Turning radius - outside	4,5 m
Tires - solid rough terrain	14x17,5"
Weight	9 300 kg
Power source	Kubota, 36.5kW (49.6hp), Stage 3A
Transport length	6.5 m
Transport height	2.93 m



STANDARD EQUIPMENT

- Universal telematics plug
- Haulotte Activ' Screen
- Haulotte Stop Emission System
- Hour meter
- Low fuel level indicator (upper control box)
- Engine pre-heater with light indicator
- Sound and light alarm for tilt and load
- 12 V battery / electrical control system
- Electric pump system and emergency descent
- Travel alarm
- Swing out engine tray for ease of maintenance
- AC power to platform 110/230 V
- 4 wheel drive, 2 wheel steer
- Permanent limited slip differential
- 230 kg / 500 lbs (2 persons) load capacity
- 4 simultaneous movements for maximum productivity
- Safe to use in winds up to 60 km/h - 37 mph
- Rotating beacon
- Modular standard basket 1.83 m x 0.80 m, Drop bar entry gate
- Upper control box protection cover and tool tray in ultra-solid plastic

OPTIONS AND ACCESSORIES

- Haulotte Activ' Shield™ Bar 2.0
- Large modular basket 2.44 m x 0.91 m
- Spark arrestor and electric one-way valve
- Glazier pack
- Non-marking tires
- Biodegradable hydraulic oil
- Hot weather kit : hydraulic oil cooler + hydraulic oil
- Cold weather kit : -10°C / -25°C
- Flashing light
- Power to platform 110 / 230 V (With or without circuit-breaker 30mA)
- 55 W working light
- Air-line to platform 6.5 mm inner diameter
- Hydraulic generator Dynaset 3.5Kw
- Lateral swing door entry gate

2420004230 - We reserve the right to modify the technical characteristics of this document without notice - 02/2018