



# DIECI



# AGRI MAX GD



50.8 VS

65.8 VS

60.9 VS

## PERFORMANCE

Machine model	AGRI MAX 50.8 VS EVO2	AGRI MAX 65.8 VS EVO2	AGRI MAX 60.9 VS EVO2
Wheels maximum capacity	5000 kg (11023 lb)	6500 kg (14330 lb)	6000 kg (13228 lb)
Maximum lifting height on wheels	7,70 m (25,3 ft)	7,70 m (25,3 ft)	8,60 m (28,2 ft)
Maximum horizontal extension on wheels	4,20 m (13,8 ft)	4,20 m (13,8 ft)	4,90 m (16,1 ft)
Fork swiveling angle	144°	144°	144°
Pull-out force	5700 daN (12814 lbf)	5700 daN (12814 lbf)	5700 daN (12814 lbf)
Towing force	7300 daN (16411 lbf)	7300 daN (16411 lbf)	7300 daN (16411 lbf)
Maximum climb angle	40%	40%	40%
Unladen weight	10000 kg (22046 lb)	11300 kg (24912 lb)	11500 kg (25353 lb)
Max speed (referred to wheels with maximum permitted diameter)	40 km/h (24,9 mph)	40 km/h (24,9 mph)	40 km/h (24,9 mph)

## BOOM

Machine model	AGRI MAX 50.8 VS EVO2	AGRI MAX 65.8 VS EVO2	AGRI MAX 60.9 VS EVO2
Lifting	8,3 s	10,5 s	11,0 s
Getting off the basket	4,4 s	6,6 s	6,9 s
Extension	5,5 s	5,5 s	6,4 s
Retraction	2,4 s	2,4 s	2,8 s
Forward swiveling	2,8 s	2,8 s	2,8 s
Reverse swiveling	1,9 s	1,9 s	1,9 s

## ENGINE

Machine model	AGRI MAX 50.8 VS EVO2	AGRI MAX 65.8 VS EVO2	AGRI MAX 60.9 VS EVO2
Brand	FPT	FPT	FPT
Nominal power	103 kW (138 HP)	103 kW (138 HP)	103 kW (138 HP)
@rpm	2200 rpm	2200 rpm	2200 rpm
Peak power	114 kW (153 HP)	114 kW (153 HP)	114 kW (153 HP)
@rpm	1800 rpm	1800 rpm	1800 rpm
Operation	4-stroke	4-stroke	4-stroke
Injection	Electronic, Common Rail	Electronic, Common Rail	Electronic, Common Rail
Number and arrangement of cylinders	4, Vertical in line	4, Vertical in line	4, Vertical in line
Displacement	4485 cm <sup>3</sup> (274 in <sup>3</sup> )	4485 cm <sup>3</sup> (274 in <sup>3</sup> )	4485 cm <sup>3</sup> (274 in <sup>3</sup> )
Consumption	205,9 g/kWh (338,71 lb/Hp h)	205,9 g/kWh (338,71 lb/Hp h)	205,9 g/kWh (338,71 lb/Hp h)
@rpm	1800 rpm	1800 rpm	1800 rpm
Emission standards	Stage IV/Tier 4f	Stage IV/Tier 4f	Stage IV/Tier 4f
Exhaust gas treatment	DOC+SCR (AdBlue)	DOC+SCR (AdBlue)	DOC+SCR (AdBlue)
Cooling system	Liquid	Liquid	Liquid
Intake	16-valve turbo compressor, aftercooler	16-valve turbo compressor, aftercooler	16-valve turbo compressor, aftercooler

## DIFFERENTIAL AXLES

Machine model	AGRI MAX 50.8 VS EVO2	AGRI MAX 65.8 VS EVO2	AGRI MAX 60.9 VS EVO2
Axles type	2 steering, with 4 epicycloidal reduction gears	2 steering, with 4 epicycloidal reduction gears	2 steering, with 4 epicycloidal reduction gears
Type of steering	4 wheels / transversal / 2 wheels	4 wheels / transversal / 2 wheels	4 wheels / transversal / 2 wheels
Front axle	Rigid (Levelling upon request)	Rigid (Levelling upon request)	Rigid (Levelling upon request)
Rear axle	Swinging	Swinging	Swinging
Service braking	Oil bath with servo brake on front and rear axle with double hydraulic system	Oil bath with servo brake on front and rear axle with double hydraulic system	Oil bath with servo brake on front and rear axle with double hydraulic system
Parking braking	Negative actuation with electronic control	Negative actuation with electronic control	Negative actuation with electronic control

## HYDRAULIC SYSTEM

Machine model	AGRI MAX 50.8 VS EVO2	AGRI MAX 65.8 VS EVO2	AGRI MAX 60.9 VS EVO2
Hydraulic pump type	Piston pump with variable flow rate for power steering and movements Gear pumps for Fan Drive with automatic fan reversal.	Piston pump with variable flow rate for power steering and movements Gear pumps for Fan Drive with automatic fan reversal.	Piston pump with variable flow rate for power steering and movements Gear pumps for Fan Drive with automatic fan reversal.
Hydraulic pump capacity	247 L/min (65,3 gal/min)	247 L/min (65,3 gal/min)	247 L/min (65,3 gal/min)
Max. operating pressure	26,0 MPa (3771 psi)	26,0 MPa (3771 psi)	26,0 MPa (3771 psi)
Distributor control	4in1 proportional Joystick with FNR	4in1 proportional Joystick with FNR	4in1 proportional Joystick with FNR

## REFUELING

Machine model	AGRI MAX 50.8 VS EVO2	AGRI MAX 65.8 VS EVO2	AGRI MAX 60.9 VS EVO2
Hydraulic system (total)	175,0 L (46,23 gal)	175,0 L (46,23 gal)	175,0 L (46,23 gal)
Diesel tank	125,0 L (33,02 gal)	125,0 L (33,02 gal)	125,0 L (33,02 gal)
AdBlue tank	27,0 L (7,13 gal)	27,0 L (7,13 gal)	27,0 L (7,13 gal)

## TRANSMISSION

Machine model	AGRI MAX 50.8 VS EVO2	AGRI MAX 65.8 VS EVO2	AGRI MAX 60.9 VS EVO2
Transmission type	Hydrostatic single speed Vario System EVO2 with electronic control	Hydrostatic single speed Vario System EVO2 with electronic control	Hydrostatic single speed Vario System EVO2 with electronic control
Hydraulic motor	2 Hydraulic motors with continuous automatic adjustment	2 Hydraulic motors with continuous automatic adjustment	2 Hydraulic motors with continuous automatic adjustment
Reversal	With electronic control operated with vehicle in motion	With electronic control operated with vehicle in motion	With electronic control operated with vehicle in motion
Inching	With electronic pedal for controlled forward movement	With electronic pedal for controlled forward movement	With electronic pedal for controlled forward movement

## TOWING CAPACITY (upon request)

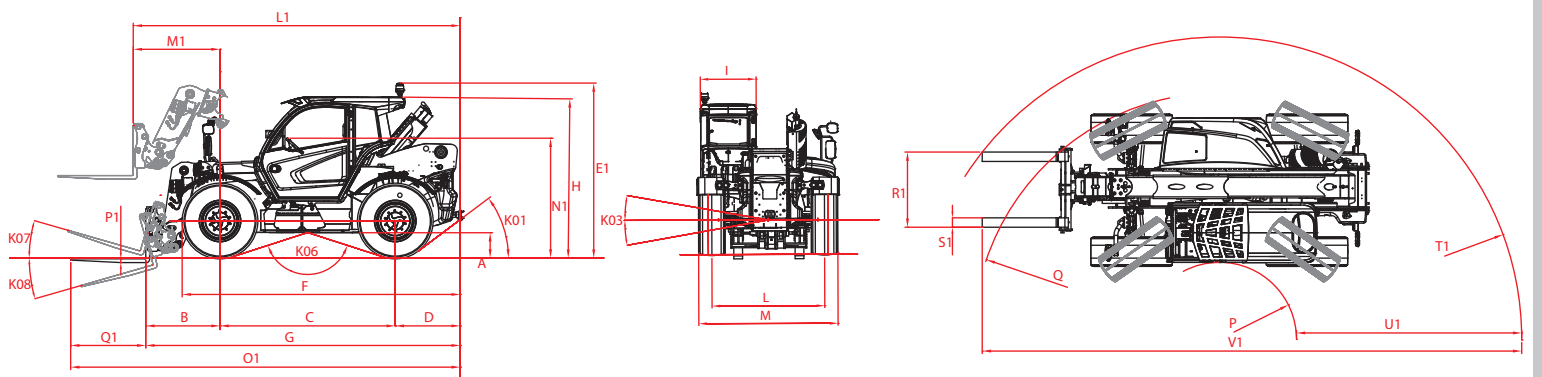
Machine model	AGRI MAX 50.8 VS EVO2	AGRI MAX 65.8 VS EVO2	AGRI MAX 60.9 VS EVO2
Unbraked trailer	3200 kg (7055 lb)	3200 kg (7055 lb)	3200 kg (7055 lb)
Inertia braking	9000 kg (19842 lb)	9000 kg (19842 lb)	9000 kg (19842 lb)
Mechanical braking	6000 kg (13228 lb)	6000 kg (13228 lb)	6000 kg (13228 lb)
Hydraulic/pneumatic braking	20000 kg (44092 lb)	20000 kg (44092 lb)	20000 kg (44092 lb)

## TIRES

Machine model	AGRI MAX 50.8 VS EVO2	AGRI MAX 65.8 VS EVO2	AGRI MAX 60.9 VS EVO2
Standard tires	18-22.5"	18-22.5"	18-22.5"
Optional tires	18 R22.5; 500-70 R24 (19,5 LR024)	18 R22.5; 500-70 R24 (19,5 LR024)	18 R22.5; 500-70 R24 (19,5 LR024)

## DIMENSIONS

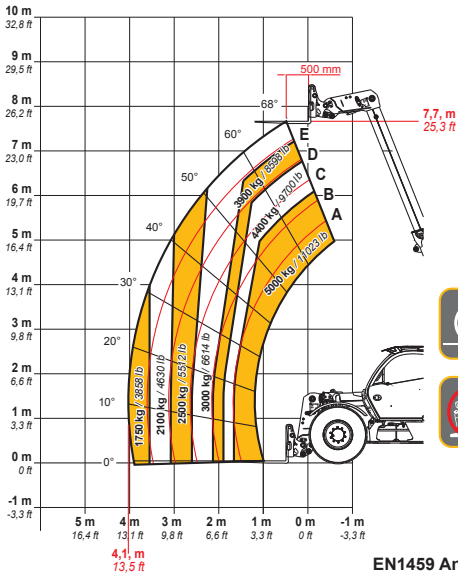
Machine model	AGRI MAX 50.8 VS EVO2	AGRI MAX 65.8 VS EVO2	AGRI MAX 60.9 VS EVO2
A	400 mm (15,7 in)	400 mm (15,7 in)	400 mm (15,7 in)
B	1186 mm (46,7 in)	1186 mm (46,7 in)	1536 mm (60,5 in)
C	2800 mm (110,2 in)	2800 mm (110,2 in)	2800 mm (110,2 in)
D	1037 mm (40,8 in)	1037 mm (40,8 in)	1037 mm (40,8 in)
E1	2800 mm (110,2 in)	2800 mm (110,2 in)	2800 mm (110,2 in)
F	4442 mm (174,9 in)	4442 mm (174,9 in)	4442 mm (174,9 in)
G	5023 mm (197,8 in)	5023 mm (197,8 in)	5373 mm (211,5 in)
H	2545 mm (100,2 in)	2545 mm (100,2 in)	2545 mm (100,2 in)
I	960 mm (37,8 in)	960 mm (37,8 in)	960 mm (37,8 in)
K01	37°	37°	37°
K03	10°	10°	10°
K06	144°	144°	144°
K07	16°	16°	16°
K08	131°	131°	131°
L	1930 mm (76 in)	1930 mm (76 in)	1930 mm (76 in)
L1	5223 mm (205,6 in)	5223 mm (205,6 in)	5561 mm (218,9 in)
M	2375 mm (93,5 in)	2375 mm (93,5 in)	2390 mm (94,1 in)
M1	1386 mm (54,6 in)	1386 mm (54,6 in)	1724 mm (67,9 in)
N1	1910 mm (75,2 in)	1910 mm (75,2 in)	1910 mm (75,2 in)
O1	6223 mm (245 in)	6223 mm (245 in)	6573 mm (258,8 in)
P	1229 mm (48,4 in)	1229 mm (48,4 in)	1229 mm (48,4 in)
P1	60 mm (2,4 in)	60 mm (2,4 in)	60 mm (2,4 in)
Q	3933 mm (154,8 in)	3933 mm (154,8 in)	3933 mm (154,8 in)
Q1	1200 mm (47,2 in)	1200 mm (47,2 in)	1200 mm (47,2 in)
R1	1200 mm (47,2 in)	1200 mm (47,2 in)	1200 mm (47,2 in)
S1	150 mm (5,9 in)	150 mm (5,9 in)	150 mm (5,9 in)
T1	4824 mm (189,9 in)	4824 mm (189,9 in)	5104 mm (200,9 in)
U1	3596 mm (141,6 in)	3596 mm (141,6 in)	3875 mm (152,6 in)
V1	8613 mm (339,1 in)	8613 mm (339,1 in)	-



**MAX**  
5000 kg / 11023 lb



DOC10000866



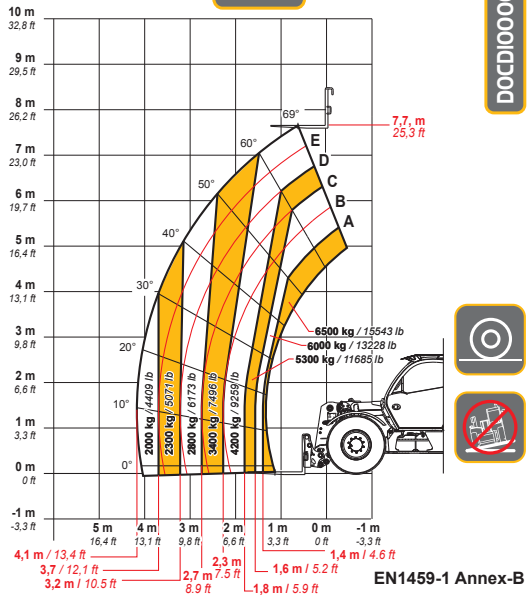
EN1459 Annex-B

**50.8**

**MAX**  
6500 kg / 14330 lb



DOC10000946



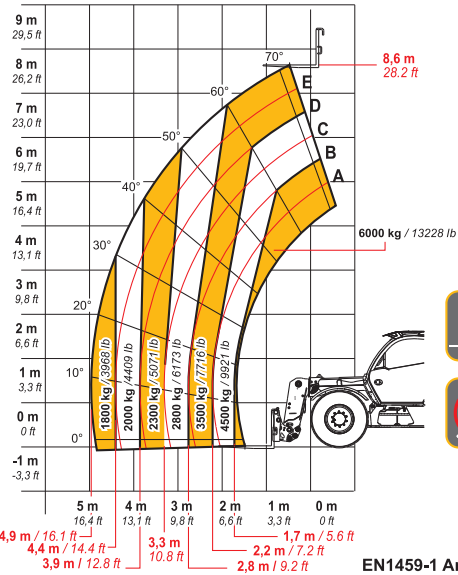
EN1459-1 Annex-B

**65.8**

**MAX**  
6000 kg / 13228 lb



DOC10000948



EN1459-1 Annex-B

**60.9**

Dieci Srl - Via E. Majorana, 2-4 - 42027 - Montecchio Emilia (RE) ITALY

Tel. +39 0522 869611 - Fax +39 0522 869798 - E-mail: info@dieci.com - [www.dieci.com](http://www.dieci.com)

SKT Agri Max GD EC -UK | v. 1.3