



DIECI



T 40

T 50

T 60

T 70

T 80

AGRI PIVOT

PERFORMANCE					
Machine model	AGRI PIVOT T40	AGRI PIVOT T50	AGRI PIVOT T60	AGRI PIVOT T70	AGRI PIVOT T80
Operating weight with standard bucket and quick coupling	4950 kg (10913 lb)	6020 kg (13272 lb)	6020 kg (13272 lb)	7150 kg (15763 lb)	8000 kg (17637 lb)
Standard bucket capacity	0,75 m ³ (26 ft ³)	0,85 m ³ (30 ft ³)	0,85 m ³ (30 ft ³)	1,10 m ³ (39 ft ³)	1,20 m ³ (42 ft ³)
Pull-out force	4075 daN (9161 lbf)	4800 daN (10791 lbf)	4800 daN (10791 lbf)	6000 daN (13489 lbf)	6700 daN (15062 lbf)
Towing force	3400 daN (7644 lbf)	4600 daN (10341 lbf)	5700 daN (12814 lbf)	6000 daN (13489 lbf)	6500 daN (14613 lbf)
Maximum climb angle	60%	70%	80%	70%	60%
Max speed (referred to wheels with maximum permitted diameter)	22 km/h (13,7 mph)	30 km/h (18,6 mph)	40 km/h (24,9 mph)	40 km/h (24,9 mph)	36 km/h (22,4 mph)
Retracted in line tipping load	3600 kg (7937 lb)	4050 kg (8929 lb)	4050 kg (8929 lb)	4800 kg (10582 lb)	6100 kg (13448 lb)
Retracted articulated tipping load	3200 kg (7055 lb)	3575 kg (7882 lb)	3575 kg (7882 lb)	4250 kg (9370 lb)	5400 kg (11905 lb)
Extended in line tipping load	2100 kg (4630 lb)	2350 kg (5181 lb)	2350 kg (5181 lb)	2500 kg (5512 lb)	3200 kg (7055 lb)
Extended articulated tipping load	1850 kg (4079 lb)	2050 kg (4519 lb)	2050 kg (4519 lb)	2350 kg (5181 lb)	2800 kg (6173 lb)
Operating load EN474.3 (80%) retracted	1800 kg (3968 lb)	2250 kg (4960 lb)	2250 kg (4960 lb)	3000 kg (6614 lb)	3500 kg (7716 lb)
Operating load EN474.3 (60%) retracted	1350 kg (2976 lb)	1700 kg (3748 lb)	1700 kg (3748 lb)	2300 kg (5071 lb)	2600 kg (5732 lb)
Operating load EN474.3 (80%) extended	1250 kg (2756 lb)	1400 kg (3086 lb)	1400 kg (3086 lb)	1650 kg (3638 lb)	1800 kg (3968 lb)
Operating load EN474.3 (60%) extended	950 kg (2094 lb)	1050 kg (2315 lb)	1050 kg (2315 lb)	1300 kg (2866 lb)	1400 kg (3086 lb)

BOOM					
Machine model	AGRI PIVOT T40	AGRI PIVOT T50	AGRI PIVOT T60	AGRI PIVOT T70	AGRI PIVOT T80
Lifting	7,3 s	5,2 s	5,2 s	5,3 s	5,3 s
Getting off the basket	3,8 s	2,8 s	2,8 s	3,0 s	3,0 s
Extension	2,5 s	2,4 s	2,4 s	2,3 s	3,2 s
Retraction	1,4 s	1,3 s	1,3 s	1,2 s	1,8 s
Forward swiveling	2,2 s	1,8 s	1,8 s	2,1 s	2,4 s
Reverse swiveling	1,6 s	1,3 s	1,3 s	1,3 s	1,6 s

ENGINE					
Machine model	AGRI PIVOT T40	AGRI PIVOT T50	AGRI PIVOT T60	AGRI PIVOT T70	AGRI PIVOT T80
Brand	Kubota	Kubota	Kubota	Kubota	FPT
Nominal power	36,5 kW (49 HP)	54,6 kW (73 HP)	54,6 kW (73 HP)	83,5 kW (112 HP)	96 kW (129 HP)
@rpm	2700 rpm	2700 rpm	2600 rpm	2600 rpm	2200 rpm
Operation	4-stroke	4-stroke	4-stroke	4-stroke	4-stroke
Injection	Mechanical	Electronic, Common rail	Electronic, Common rail	Electronic, Common Rail	Electronic, Common Rail
Number and arrangement of cylinders	4, Vertical in line	4, Vertical in line	4, Vertical in line	4, Vertical in line	4, Vertical in line
Displacement	2615 cm ³ (160 in ³)	3331 cm ³ (203 in ³)	3331 cm ³ (203 in ³)	3769 cm ³ (230 in ³)	4485 cm ³ (274 in ³)
Consumption	235 g/kWh (386,58 lb/Hp h)	231 g/kWh (380 lb/Hp h)	231 g/kWh (380 lb/Hp h)	227 g/kWh (373,42 lb/Hp h)	205 g/kWh (337,23 lb/Hp h)
@rpm	2700 rpm	2600 rpm	2600 rpm	2600 rpm	2200 rpm
Intake	Natural	Turbo compressor	Turbo compressor	Turbocharger after-cooler	16-valve turbo compressor, aftercooler
Cooling system	Liquid	Liquid	Liquid	Liquid	Liquid
Emission standards	Stage IIIA/Tier 3	Stage IIIB/Tier 4i	Stage IIIB/Tier 4i	Stage IIIB/Tier 4i	Stage IV/Tier 4f
Starter motor	12 V - 3 kW	12 V - 3 kW	12 V - 3 kW	12 V - 3 kW	12 V - 3 kW

DIFFERENTIAL AXLES AND STEERING WHEEL					
Machine model	AGRI PIVOT T40	AGRI PIVOT T50	AGRI PIVOT T60	AGRI PIVOT T70	AGRI PIVOT T80
Axles type	2 rigid, with 4 planetary reduction gears	2 rigid, with 4 planetary reduction gears	2 rigid, with 4 planetary reduction gears	2 rigid, with 4 planetary reduction gears	2 rigid, with 4 planetary reduction gears
Type of steering	With articulated chassis with a total angle of 80°, servo-assisted by power steering (Load Sensing)	With articulated chassis with a total angle of 80°, servo-assisted by power steering (Load Sensing)	With articulated chassis with a total angle of 80°, servo-assisted by power steering (Load Sensing)	With articulated chassis with a total angle of 80°, servo-assisted by power steering (Load Sensing)	With articulated chassis with a total angle of 80°, servo-assisted by power steering (Load Sensing)
Front axle	Rigid, self-locking	Rigid, self-locking	Rigid, self-locking	Rigid, self-locking	Rigid, self-locking
Rear axle	Swinging with 25° total stroke	Swinging with 25° total stroke	Swinging with 25° total stroke	Swinging with 25° total stroke	Swinging with 25° total stroke
Service braking	Oil bath with servo brake on front axle	Oil bath on front and rear axles on servo brake	Oil bath on front and rear axles with servo brake	Oil bath with servo brake on front axle	Oil bath with servo brake on front and rear axles
Parking braking	Negative actuation with electrical control	Negative actuation with electrical control	Negative action parking brake on both axles	Negative actuation with electrical control	Negative action parking brake on front axles

HYDRAULIC SYSTEM					
Machine model	AGRI PIVOT T40	AGRI PIVOT T50	AGRI PIVOT T60	AGRI PIVOT T70	AGRI PIVOT T80
Hydraulic pump type	Gear pump for power steering and movements	Gear pump for power steering and movements	Gear pump for power steering and movements	Gear pump for power steering and movements	Gear pump for power steering and movements
Hydraulic pump capacity	65 L/min (17,2 gal/min)	101 L/min (26,7 gal/min)	101 L/min (26,7 gal/min)	114 L/min (30,1 gal/min)	114 L/min (30,1 gal/min)
Max. operating pressure	25,0 MPa (3626 psi)	23,0 MPa (3336 psi)	23,0 MPa (3336 psi)	25,0 MPa (3626 psi)	25,0 MPa (3626 psi)

REFUELING

Machine model	AGRI PIVOT T40	AGRI PIVOT T50	AGRI PIVOT T60	AGRI PIVOT T70	AGRI PIVOT T80
Hydraulic system (total)	70,0 L (18,49 gal)	80,0 L (21,13 gal)	80,0 L (21,13 gal)	110,0 L (29,06 gal)	120,0 L (31,7 gal)
Diesel tank	75,0 L (19,81 gal)	100,0 L (26,42 gal)	100,0 L (26,42 gal)	140,0 L (36,98 gal)	140,0 L (36,98 gal)
AdBlue tank	-	-	-	-	27,00 L (7,13 gal)

TRANSMISSION

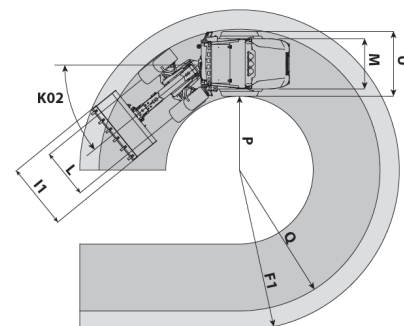
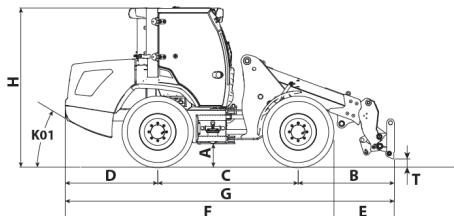
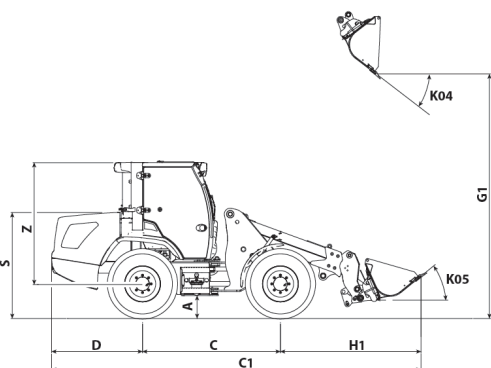
Machine model	AGRI PIVOT T40	AGRI PIVOT T50	AGRI PIVOT T60	AGRI PIVOT T70	AGRI PIVOT T80
Transmission type	Hydrostatic with variable displacement pump	Hydrostatic with variable displacement pump	Hydrostatic with variable displacement pump	Hydrostatic with variable displacement pump	Hydrostatic with variable displacement pump
Hydraulic motor	Hydrostatic with continuous automatic adjustment	Hydrostatic with continuous automatic adjustment	Hydrostatic with continuous automatic adjustment	Hydrostatic with continuous automatic adjustment	Hydrostatic with continuous automatic adjustment
Transmission gearbox	With 2 forward speeds / 2 reverse speeds	Single speed Dropbox	Servo-controlled 2-speed	With 2 servocontrolled gears with 4 forward speeds / 4 reverse speeds	Single speed Dropbox
Inching	With hydraulic pedal for controlled forward movement	With hydraulic pedal for controlled forward movement	With hydraulic pedal for controlled forward movement	With hydraulic pedal for controlled forward movement	Pedal inching for controlled forward movement

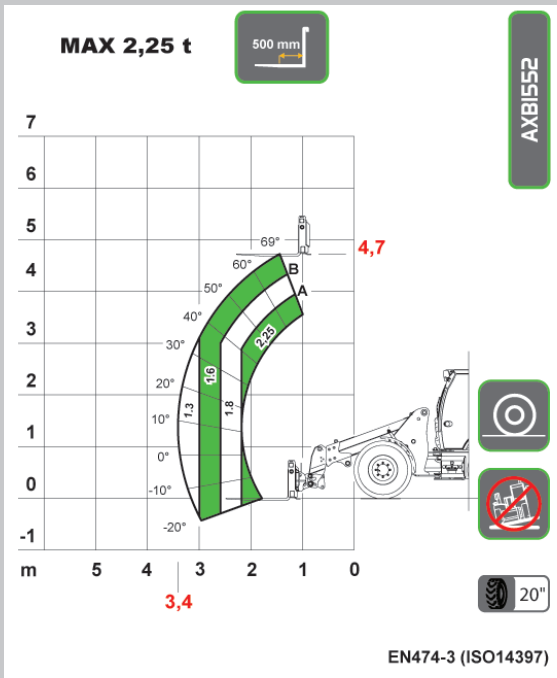
TIRES

Machine model	AGRI PIVOT T40	AGRI PIVOT T50	AGRI PIVOT T60	AGRI PIVOT T70	AGRI PIVOT T80
Standard tires	12.5x18"	405/70x20"	405/70x20"	405/70x20"	15.5x25"
Optional tires	365/70R18"; 405/70R18"; 500/45R20"	420/75R20"; 500/45R20"; 600/40R22.5"	420/75R20"; 500/45R20"; 600/40R22.5"	460/70R24"; 600/50x22.5"	460/70R24"; 600/50x22.5"; 500/70x24"

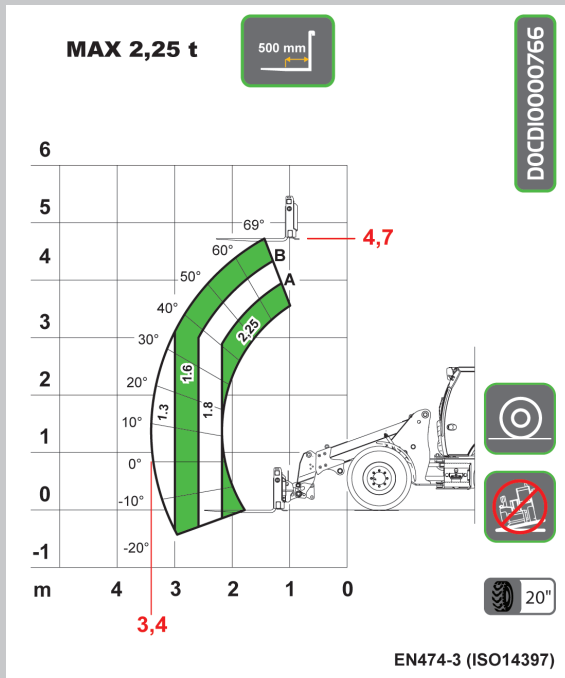
DIMENSIONS

Machine model	AGRI PIVOT T40	AGRI PIVOT T50	AGRI PIVOT T60	AGRI PIVOT T70	AGRI PIVOT T80
A	300 mm (11,8 in)	365 mm (14,4 in)	365 mm (14,4 in)	410 mm (16,1 in)	400 mm (15,7 in)
B	1485 mm (58,5 in)	1750 mm (68,9 in)	1750 mm (68,9 in)	1570 mm (61,8 in)	1670 mm (65,7 in)
C	2150 mm (84,6 in)	2200 mm (86,6 in)	2200 mm (86,6 in)	2400 mm (94,5 in)	2550 mm (100,4 in)
C1	5650 mm (222,4 in)	6015 mm (236,8 in)	6015 mm (236,8 in)	6250 mm (246,1 in)	6760 mm (266,1 in)
D	1485 mm (58,5 in)	1450 mm (57,1 in)	1450 mm (57,1 in)	1550 mm (61 in)	1675 mm (65,9 in)
E	990 mm (39 in)	1190 mm (46,9 in)	1190 mm (46,9 in)	900 mm (35,4 in)	1030 mm (40,6 in)
F	4045 mm (159,3 in)	4210 mm (165,7 in)	4210 mm (165,7 in)	4620 mm (181,9 in)	4865 mm (191,5 in)
F1	4370 mm (172 in)	4670 mm (183,9 in)	4670 mm (183,9 in)	5000 mm (196,9 in)	5300 mm (208,7 in)
G	5035 mm (198,2 in)	5400 mm (212,6 in)	5400 mm (212,6 in)	5520 mm (217,3 in)	5895 mm (232,1 in)
G1	3460 mm (136,2 in)	4155 mm (163,6 in)	4155 mm (163,6 in)	4300 mm (169,3 in)	4400 mm (173,2 in)
H	2420 mm (95,3 in)	2490 mm (98 in)	2490 mm (98 in)	2690 mm (105,9 in)	2680 mm (105,5 in)
H1	2100 mm (82,7 in)	2365 mm (93,1 in)	2365 mm (93,1 in)	2300 mm (90,6 in)	2520 mm (99,2 in)
I1	1700 mm (66,9 in)	2000 mm (78,7 in)	2000 mm (78,7 in)	2100 mm (82,7 in)	2200 mm (86,6 in)
L	1350 mm (53,1 in)	1430 mm (56,3 in)	1430 mm (56,3 in)	1560 mm (61,4 in)	1790 mm (70,5 in)
M	1675 mm (65,9 in)	1880 mm (74 in)	1880 mm (74 in)	1980 mm (78 in)	2400 mm (94,5 in)
P	2120 mm (83,5 in)	2060 mm (81,1 in)	2060 mm (81,1 in)	2400 mm (94,5 in)	2500 mm (98,4 in)
Q	3830 mm (150,8 in)	4010 mm (157,9 in)	4010 mm (157,9 in)	4450 mm (175,2 in)	4750 mm (187 in)
S	1670 mm (65,7 in)	1699 mm (66,9 in)	1699 mm (66,9 in)	1870 mm (73,6 in)	1937 mm (76,3 in)
T	69 mm (2,7 in)	93 mm (3,7 in)	93 mm (3,7 in)	186 mm (7,3 in)	201 mm (7,9 in)
U	1753 mm (69 in)	1829 mm (72 in)	1829 mm (72 in)	1970 mm (77,6 in)	2130 mm (83,9 in)
Z	1962 mm (77,2 in)	1962 mm (77,2 in)	1962 mm (77,2 in)	2056 mm (80,9 in)	2106 mm (82,9 in)
K01	30°	31°	31°	31°	30°
K02	40°	40°	40°	40°	40°
K04	40°	40°	40°	40°	40°
K05	40°	40°	40°	40°	40°

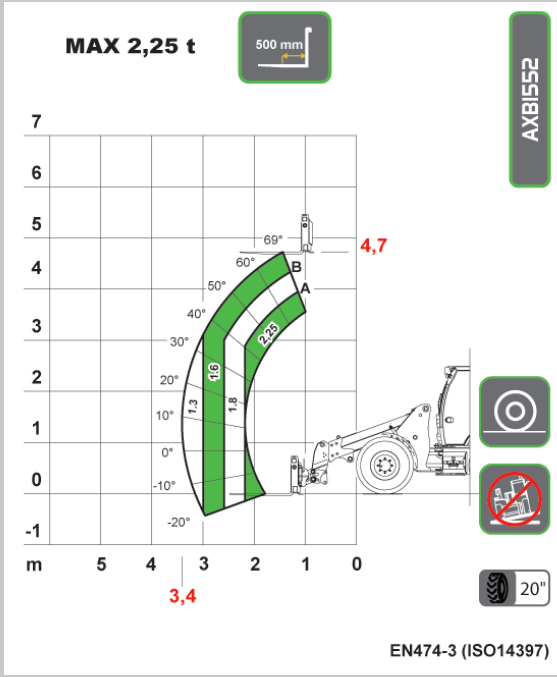




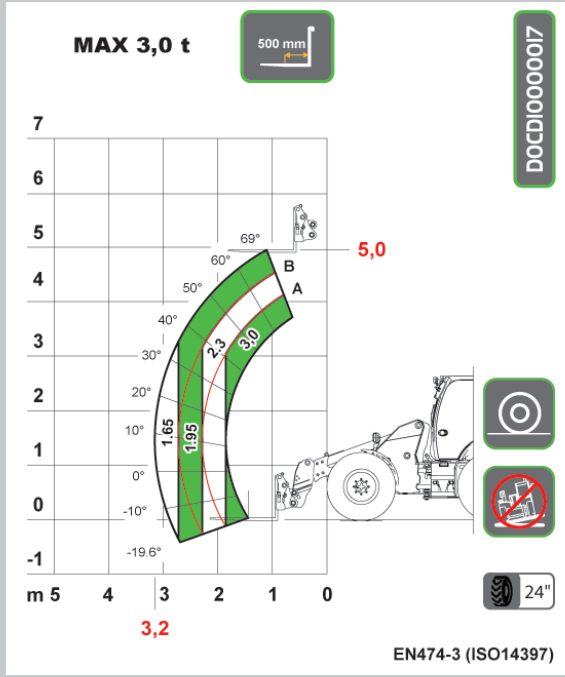
T 40



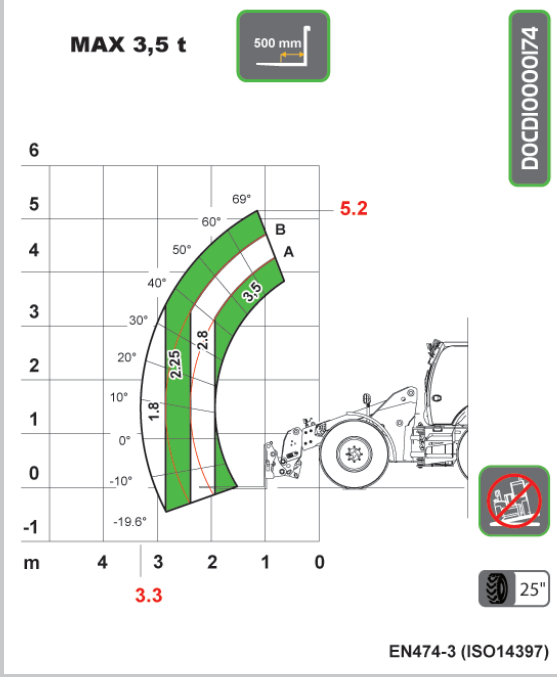
T 50



T 60



T 70



T 80

Dieci Srl - Via E. Majorana, 2-4 – 42027 – Montecchio Emilia (RE) ITALY

Tel. +39 0522 869611 – Fax +39 0522 869798 – E-mail: info@dieci.com – www.dieci.com

SKT Agri Pivot EC -UK | v. 1.6