

ELEVAH® 400 XL

ELEVAH 400XL



An assembly platform for 2 operators with a 220 V power supply and a working height of 4 m.

CUSTOMIZATION based on the customers' needs.



MAXIMUM ACCESSIBILITY
Dual access is available on request.

ALCUNI ACCESSORI E PERSONALIZZAZIONI



- (1) Faro d'illuminazione con braccio orientabile.
- (2) Presa d'aria compressa.
- (3) Presa 220 volt sul cestello.
- (4) Vaschetta porta oggetti.

➤ OTHER ACCESSORIES AND CUSTOMISATION ON P. 46



SAFETY AND CONTROL

Comprehensive and simple to use console. Roll over protection structure (cod. 400PR).



PUSH AROUND MACHINE

TECHNICAL DATA

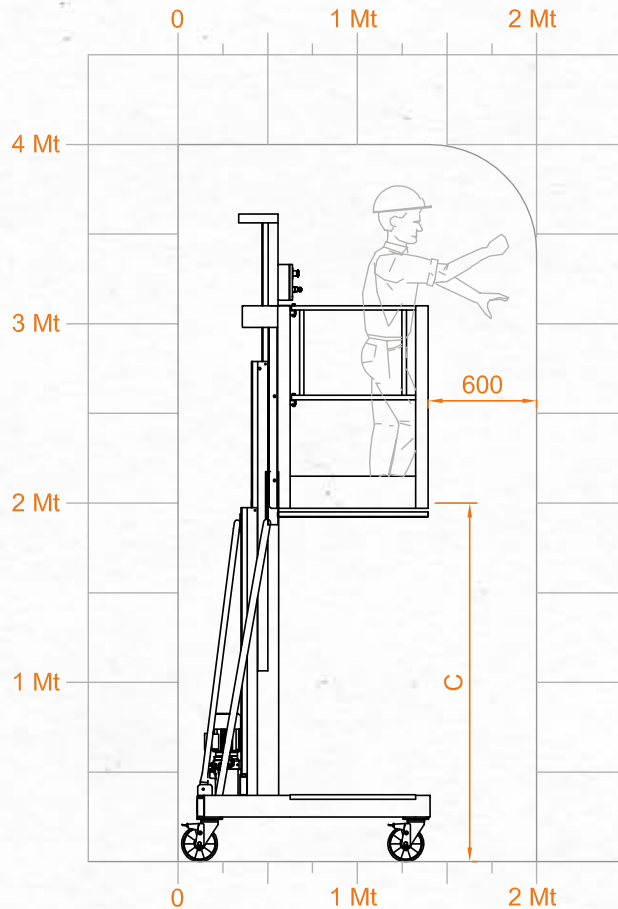
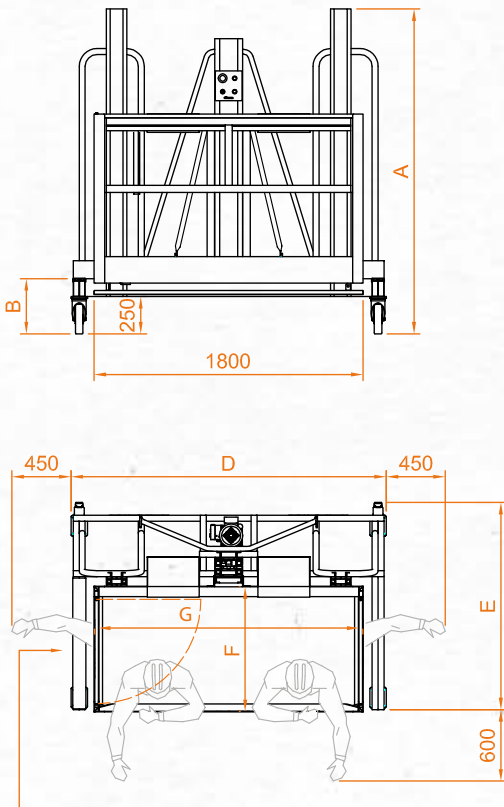
Max. working height		4,00 m
Max capacity		200 kg
Number of people		2
Use		internal
A	Closed machine height	2200 mm
B	Minimum platform height	370 mm
C	Maximum platform height	2000 mm
D/E	Base overall dimensions	2110x1400 mm
F/G	Cage dimensions	840x1800mm
Machine weight		400 kg



PERFORMANCE

Power supply	electrical
Maximum pressure for wheel at full load*	Ca. 2,1 kN

* Maximum pressure whereas the weight of the platform plus the maximum load on the basket are completely distributed on one side of the platform (totally asymmetric load).



ELEVAH 400XL

TECHNICAL DATA