

ELEVAH[®] 80 and 65 MOVE

These aerial platforms are compact, sturdy as well as reliable, allow to make maintenance activities at height up to 7,75m and 6,5m.

ELEVAH 80 and 65 MOVE

SELF PROPELLED PLATFORMS



ideal for the maintenance of theatres, museums, conference halls and sports arenas, etc.

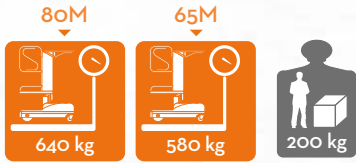
80MP: 5,75 m
65MP: 4,70 m



Anti-tilting device



- Automatic cage locking.
- Anti-tilting device.
- Electronic slope monitoring.
- Electronic braking system.
- Overload monitoring
- Emergency hydraulic lowering.



COLUMNS AND CAGE
ARE OF ALUMINIUM

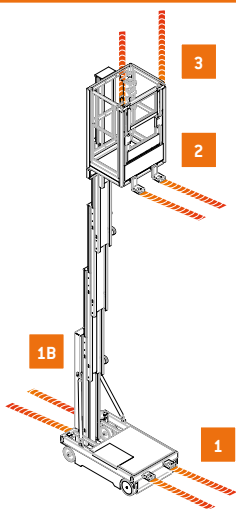
COMPACT AND
VERY LIGHTWEIGHT

Their light weight and their extremely easy handling make these machines ideal for use on delicate flooring.



ELEVAH 80 and 65 MOVE

SOME ACCESSORIES AND CUSTOMISATION



- RADAR 1**
Frontal Anti-collision Radar System for the Chassis.
- RADAR 1B**
Rear Anti-collision Radar System for the Chassis.
- RADAR 2**
Frontal Anti-collision Radar System for the Basket.
- RADAR 3**
Anti-collision Radar System to the Top (Driver's Head protection).



These aerial platform are very easy to be transported. They are so compact that enter into a metro wagon!

OTHER ACCESSORIES AND CUSTOMISATION
ON P. 46

SELF PROPELLED PLATFORMS

ELEVAH[®] 80 MOVE

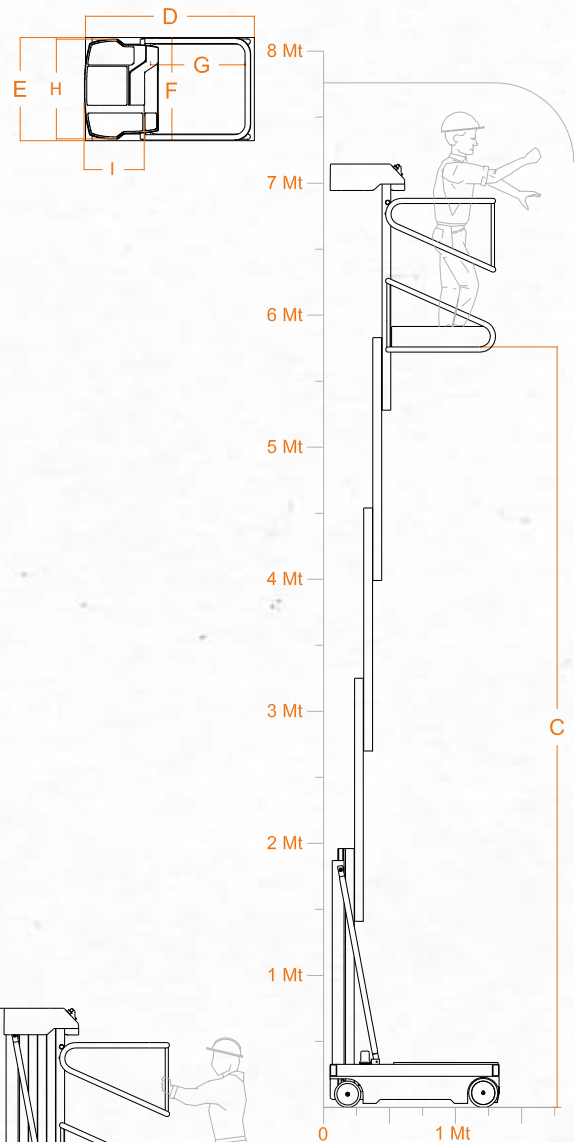
TECHNICAL DATA

Max. working height		7,75 m
Max capacity		200 kg
Number of people		1
Use		internal
A	Closed machine height	1990 mm
B	Minimum platform height	590 mm
C	Maximum platform height	5750 mm
D/E	Base overall dimensions	1280 x 780 mm
F/G	Cage dimensions	770 x 790 mm
H/I	Storage tray dimensions	755 x 450 mm
Capacity of storage tray		20 kg
Machine weight		640 kg
Drive wheels dimension		Ø 220 x 65
Swivel wheels dimensions		Ø 200 x 50



PERFORMANCE

Power supply		elettrica
Batteries		2 Lead-Acid Batteries 12V 105 Ah
Battery charger		110V - 220V
Climbing ability at height		2,5%
J	Maximum climbing ability	15%
Internal turning radius		0
External turning radius		1095 mm
Max. speed (rising – descending)		0,20 m/s
Maximum shifting speed (on the ground - at height)		0,70 - 0,25 m/s
K	Maximum pressure for wheel at full load*	2,95 kN
Work cycles ** (with fresh batteries)		Ca. 130



* Maximum pressure whereas the weight of the platform plus the maximum load on the basket are completely distributed on one side of the platform (totally asymmetric load).

** By work cycle we mean a self-propelled movement of 20 m with a full ascent to and descent from the maximum height and with adjustment of the loading platform.

