

AERIAL PLATFORMS



Hybrid Doble Power Unit

Sturdy and Compact

250 kg Nominal Load

Basket automatic stabilization

Smart System Stabilization

Homing Function

Safe, Precise, steady and smooth movements

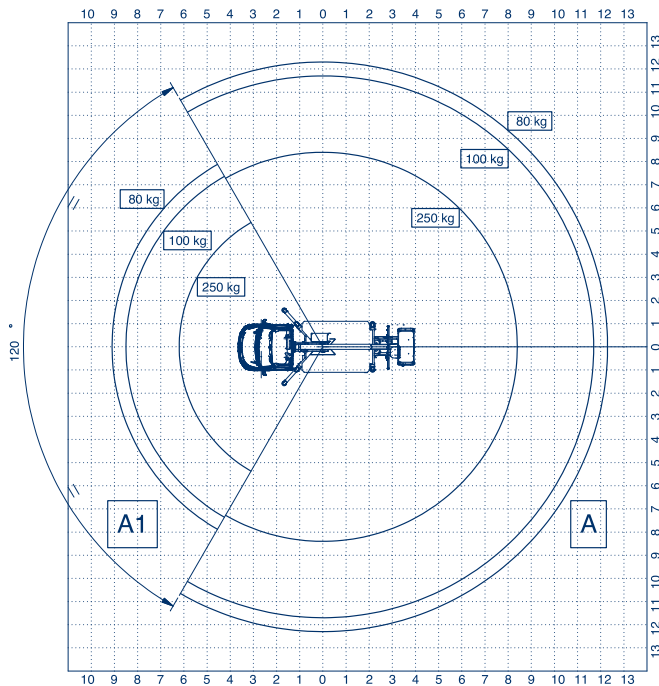
Largest lithium battery capacity in its class - Cost Saving - 0 Maintenance - 0 Emission 0 Noise



GENERAL DESCRIPTION

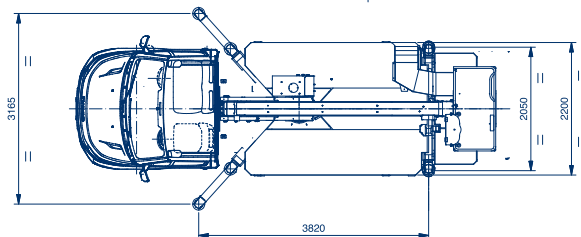
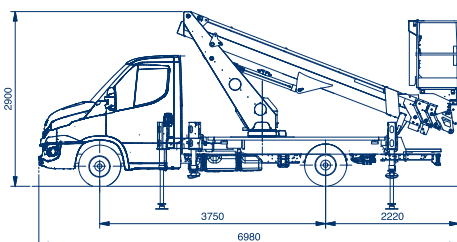
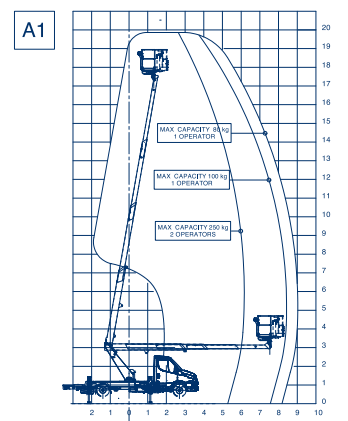
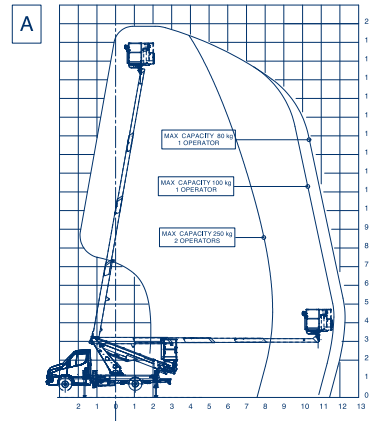
Scorpion 2013

WORKING HEIGHT (m)	19,9
BASKET FLOOR HEIGHT (m)	17,9
MAXIMUM WORKING OUTREACH (m)	12,3
BASKET CAPACITY (kg)	250
TURRET ROTATION (°)	400
BASKET SIZE (m)	1,4 x 0,7 x 1,1
BASKET ROTATION (°)	+ / - 90
OUTRIGGERS	H Type
HEIGHT (mm)	2900
WIDTH (mm)	2200
LENGTH (mm)	6980
MINIMUM GVW (kg)	3500
STORED NOMINAL ENERGY (kWh)	7,4
ENGINE NOMINAL POWER (kw)	5
RECHARGING TIME 100% (h)	5,5
RECHARGING TIME 80% (h)	3,5
MAXIMUM RECHARGE/DISCHARGE NUMBER	2000



Scorpion 2013 on Iveco Daily 35S12 - Wheelbase 3750

FRONT CROSSBEAMS FULLY OPENED



SCORPION 2013 on IVECO DAILY 35 S12 - Wheelbase 3750

