

## AERIAL PLATFORMS



Fully hydraulic

H outriggers

Smart System Stabilization

Rotating Basket (available)

Fiberglass Insulated basket  
1Kv (available)

Max outreach at maximum  
nominal capacity

Sturdy and Compact

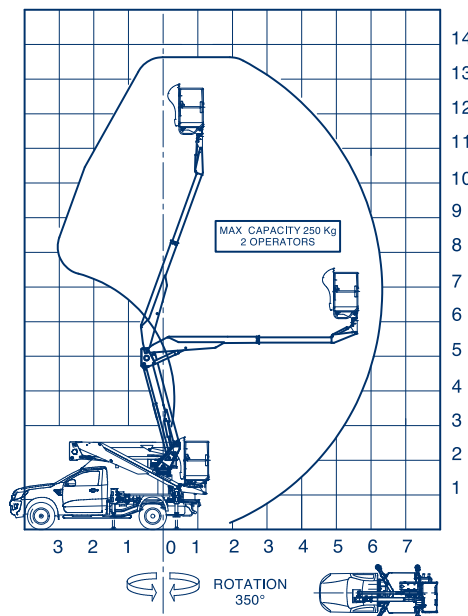


## GENERAL DESCRIPTION

## Snake 147

|                              |                 |
|------------------------------|-----------------|
| WORKING HEIGHT (m)           | 13,8            |
| BASKET FLOOR HEIGHT (m)      | 11,8            |
| MAXIMUM WORKING OUTREACH (m) | 6,3             |
| BASKET CAPACITY (kg)         | 250             |
| TURRET ROTATION (°)          | 350             |
| BASKET SIZE (m)              | 1,4 x 0,7 x 1,1 |
| OUTRIGGERS                   | H Type          |
| HEIGHT (mm)                  | 2600            |
| WIDTH (mm)                   | 1900            |
| LENGTH (mm)                  | 5650            |
| MINIMUM GVW (kg)             | 3200            |

Crossbeams Fully Extended



Work Area Snake 147 on Ford Ranger

NON ROTATING ALUMINUM BASKET

